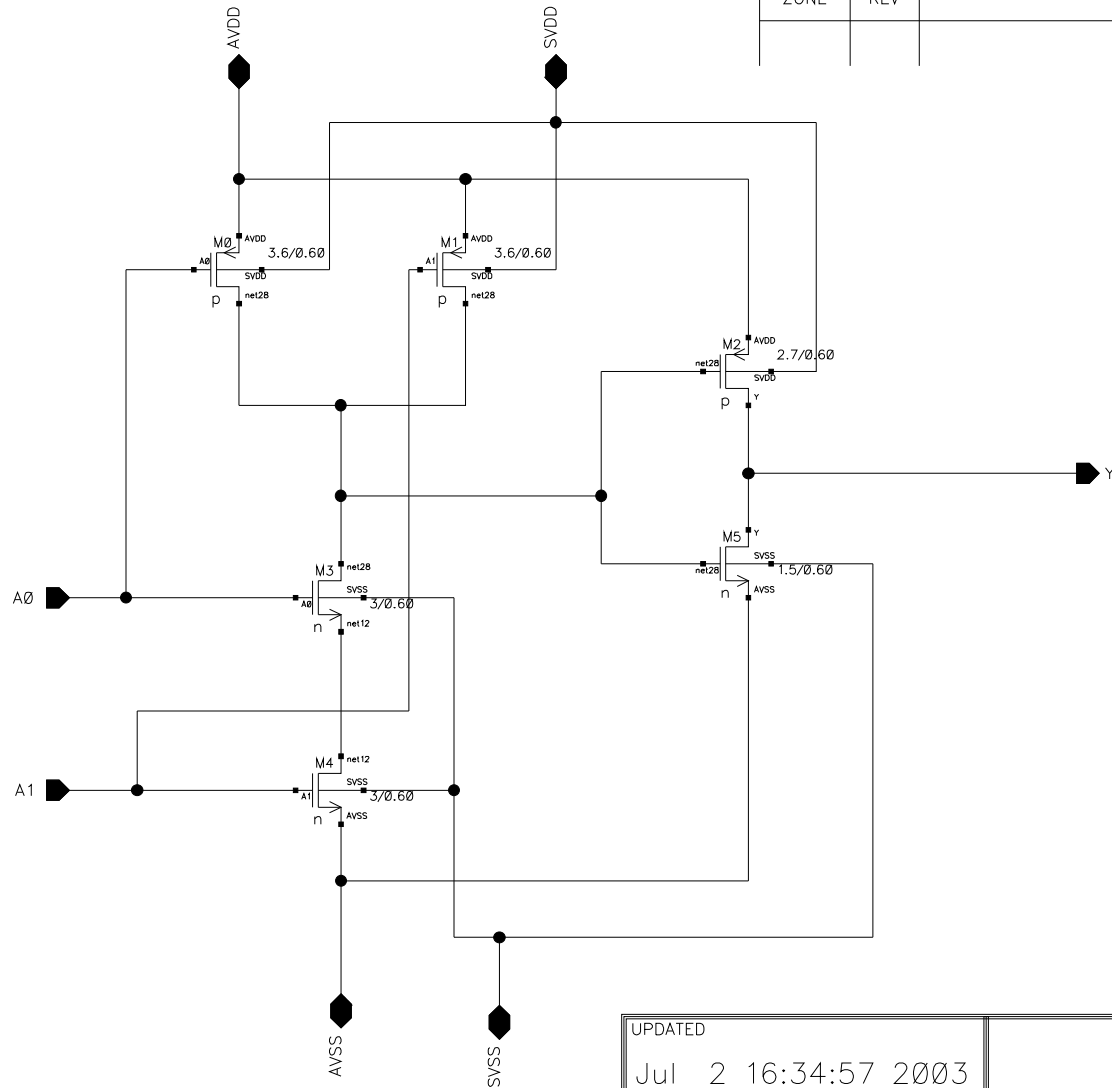
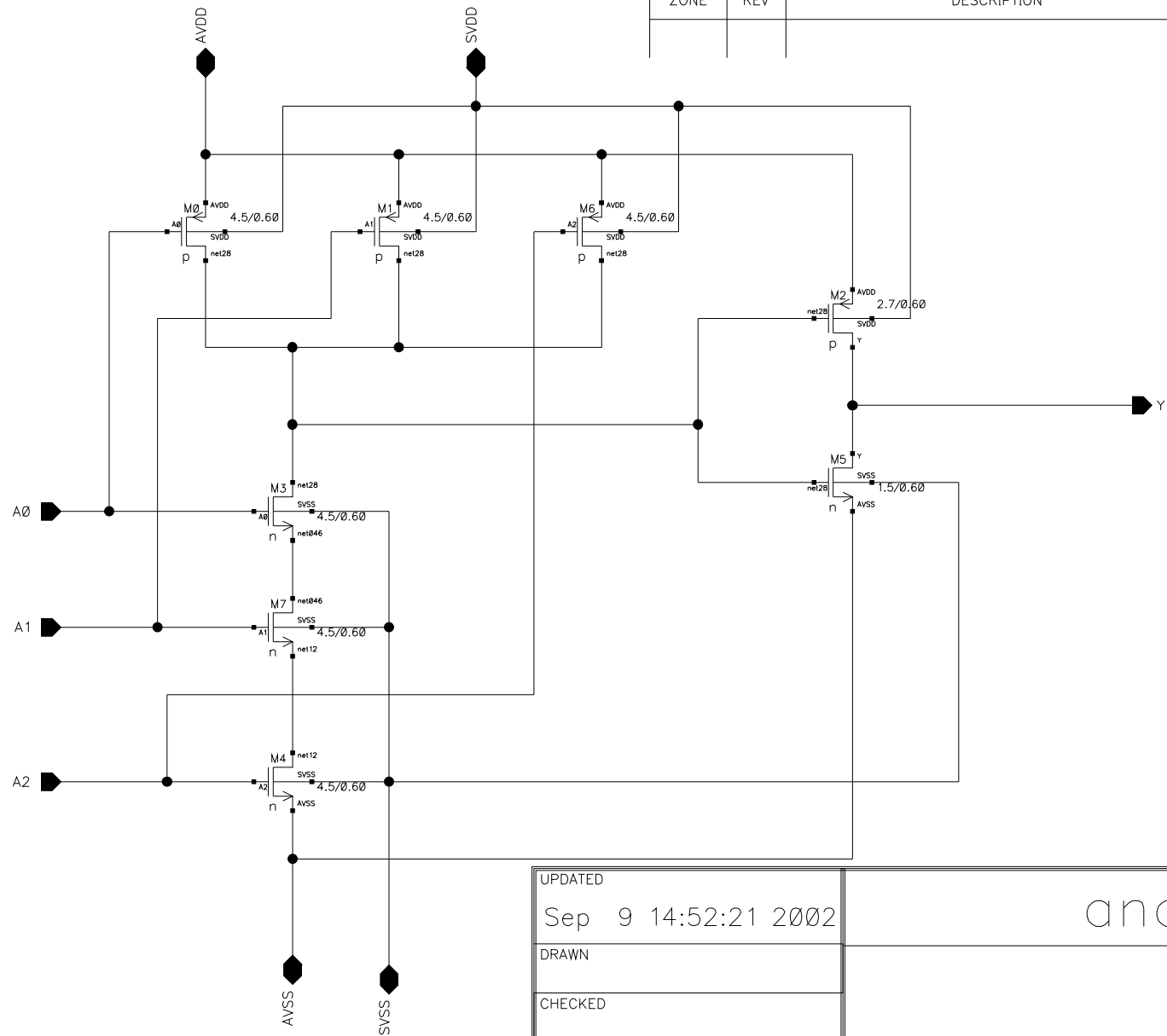


REVISIONS				
ZONE	REV	DESCRIPTION	DATE	APPROVED



UPDATED	and			
Jul 2 16:34:57 2003				
DRAWN				
CHECKED				
CHECKED	SIZE	CAGE NO.	DWG NO.	REV
ISSUED	A			
	SCALE			SHEET 1 OF 1

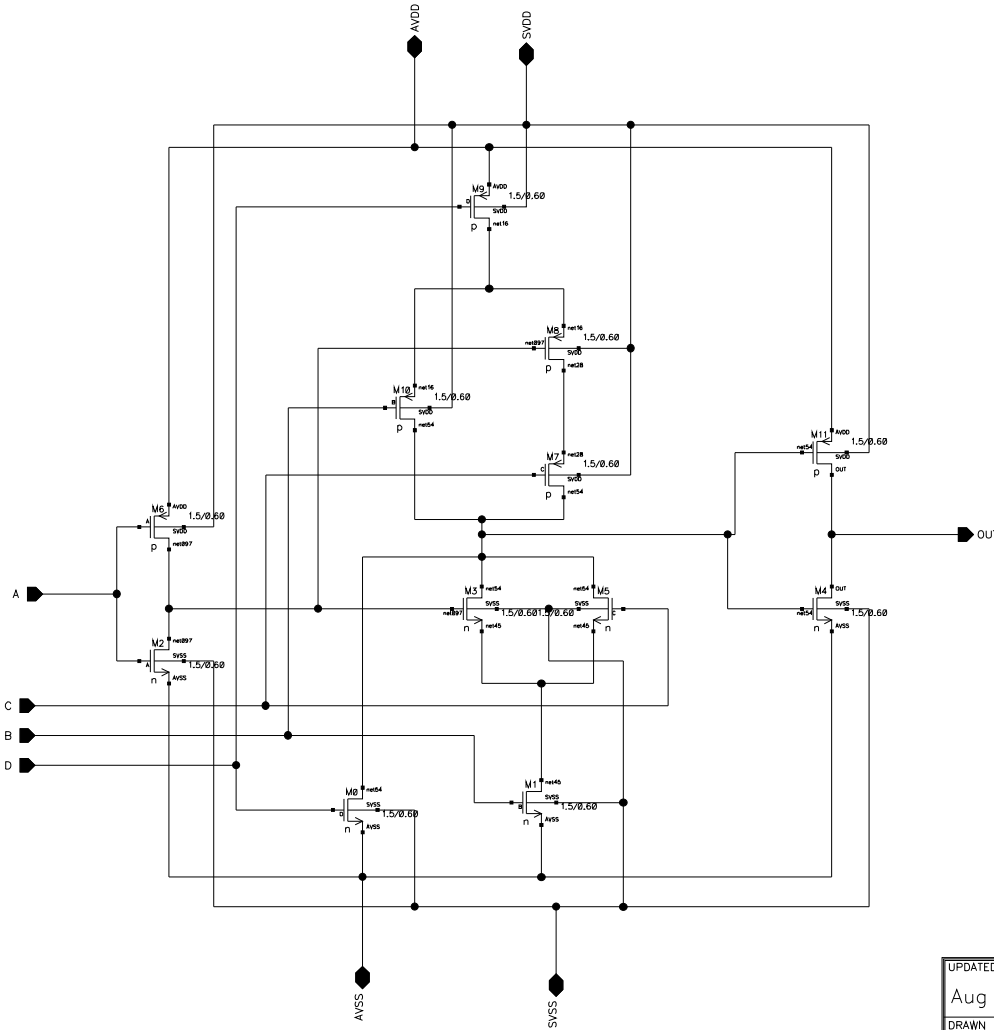
REVISIONS				
ZONE	REV	DESCRIPTION	DATE	APPROVED



UPDATED	Sep 9 14:52:21 2002		
DRAWN			
CHECKED			
CHECKED	SIZE	CAGE NO.	DWG NO.
ISSUED	SCALE	SHEET 1 OF 1	

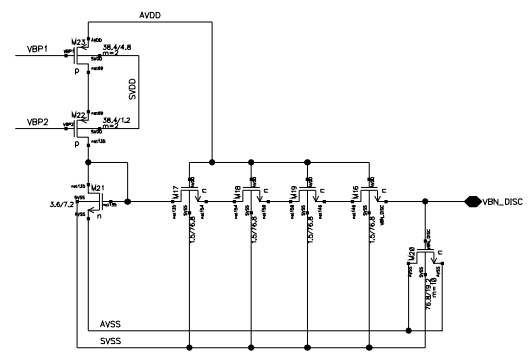
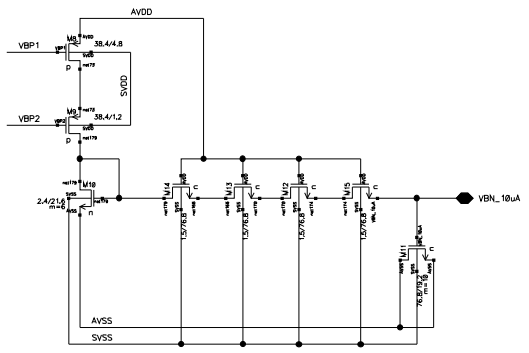
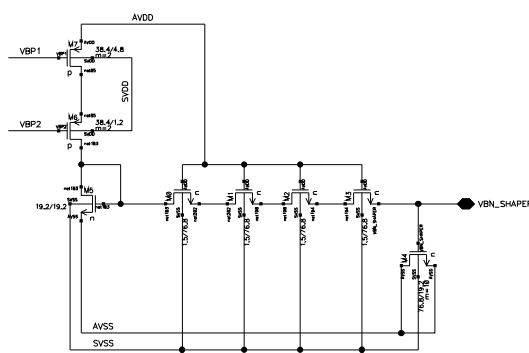
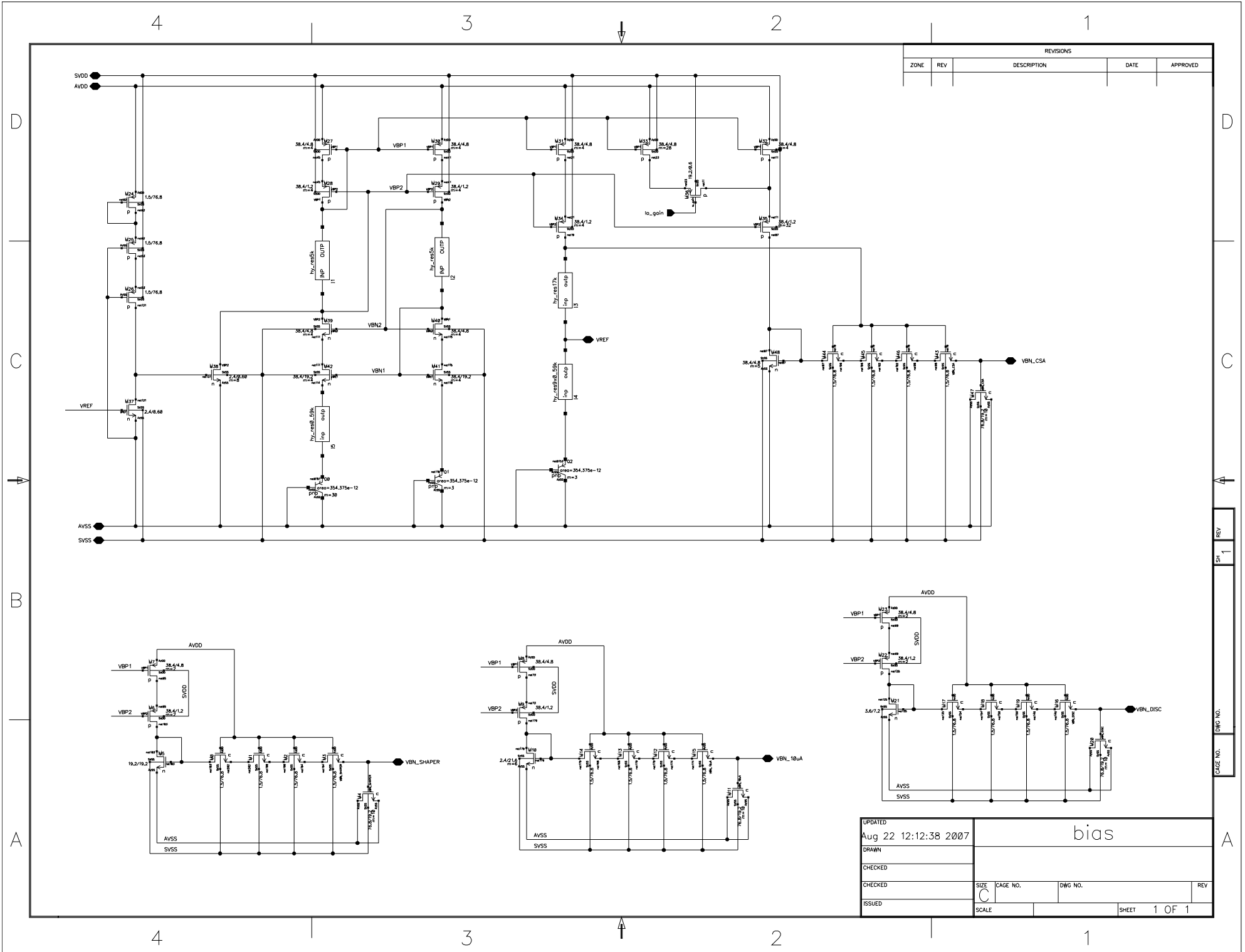
and03			

REVISIONS				
ZONE	REV	DESCRIPTION	DATE	APPROVED



UPDATED Aug 19 15:46:24 2002	andor		
DRAWN			
CHECKED			
CHECKED	SIZE B	CAGE NO.	DWG NO.
ISSUED	SCALE	SHEET 1 OF 1	

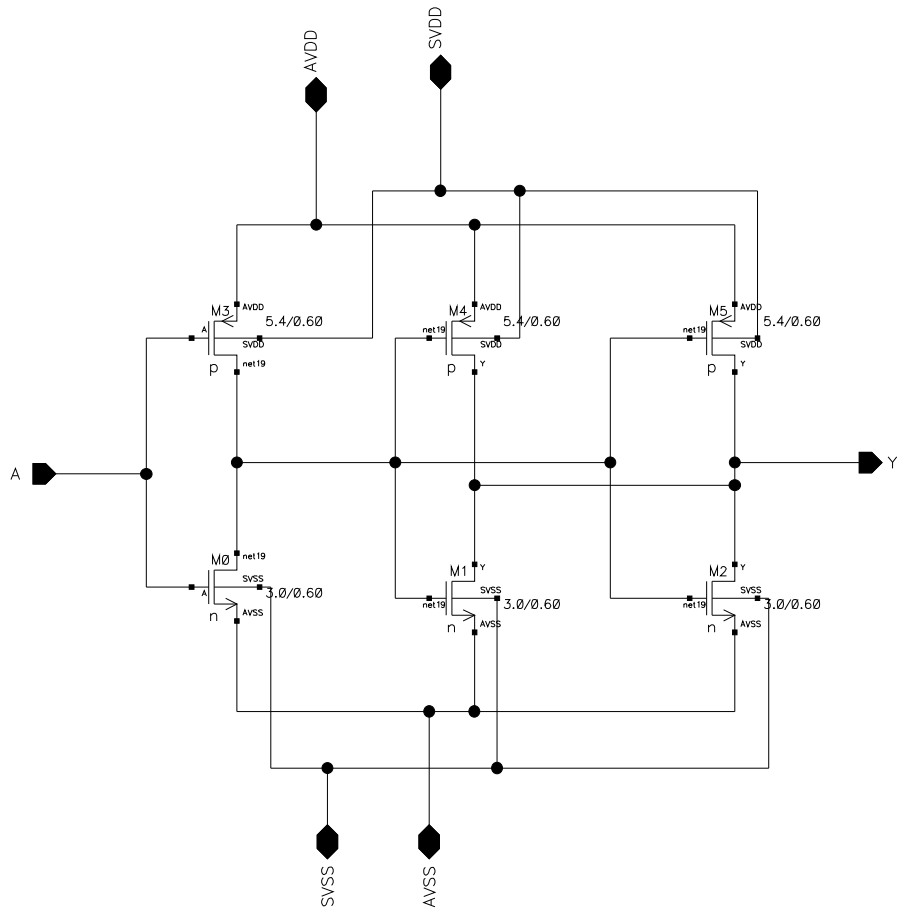
REVISIONS				
ZONE	REV	DESCRIPTION	DATE	APPROVED



UPDATED Aug 22 12:12:38 2007	bias		
DRAWN			
CHECKED			
CHECKED			
ISSUED			
	SIZE C	CAGE NO.	DWG No.
	SCALE		SHEET 1 OF 1

DWG No. SH 1 REV

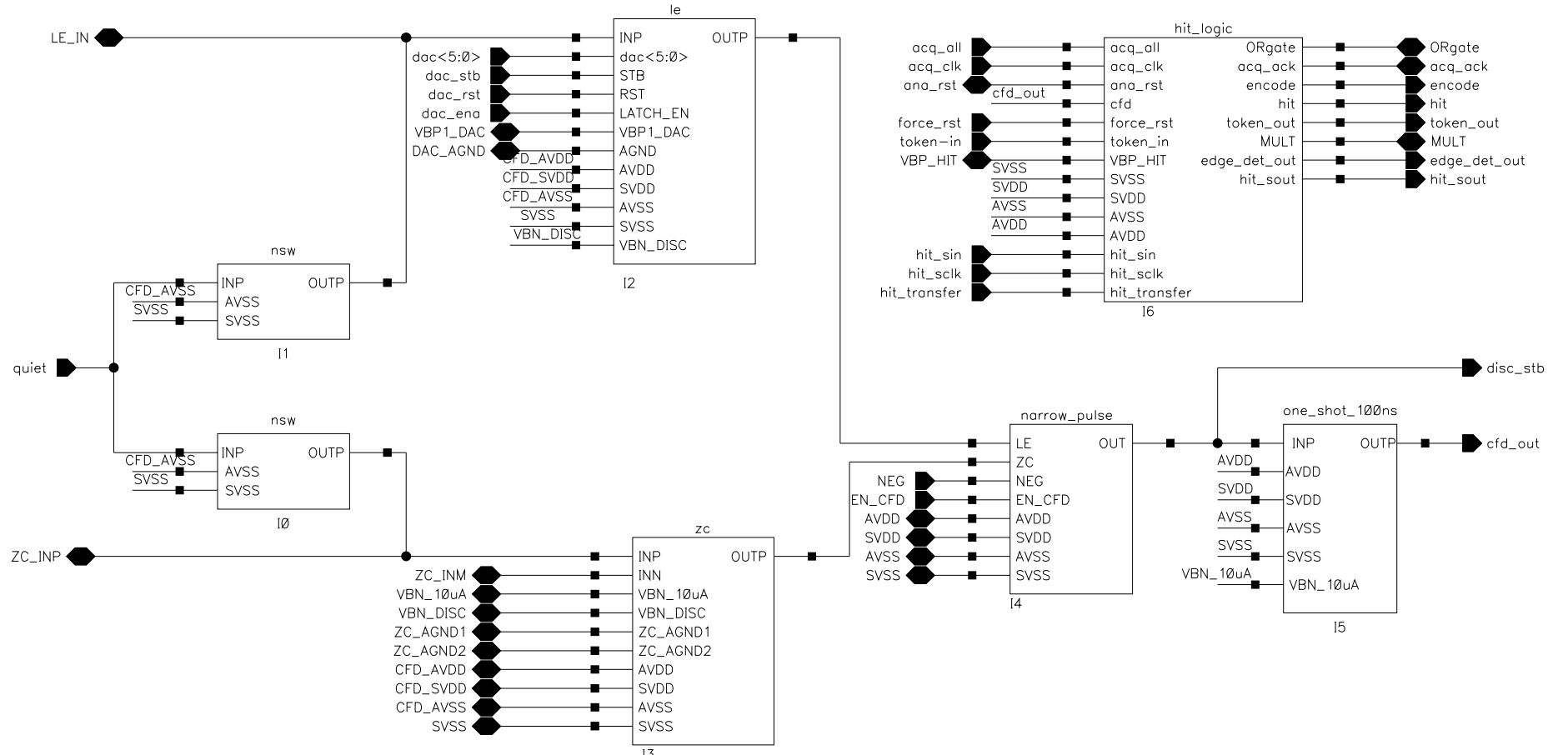
REVISIONS				
ZONE	REV	DESCRIPTION	DATE	APPROVED



UPDATED	buffer_4			
Aug 6 14:03:19 2002				
DRAWN				
CHECKED				
CHECKED	SIZE A	CAGE NO.	DWG NO.	REV
ISSUED	SCALE	SHEET 1 OF 1		

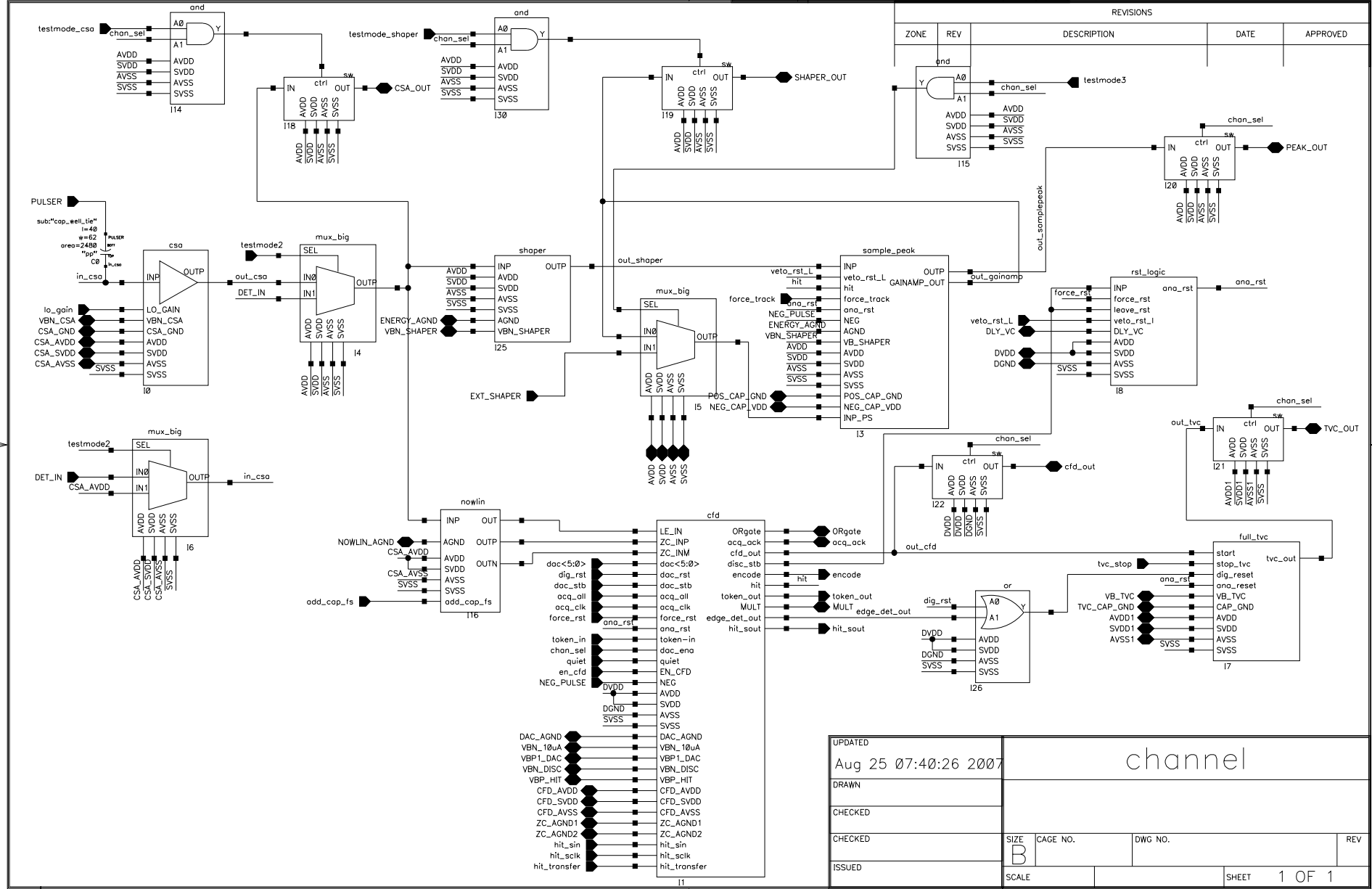


REVISIONS				
ZONE	REV	DESCRIPTION	DATE	APPROVED



UPDATED	cfd		
Jul 10 16:20:26 2007			
DRAWN			
CHECKED			
CHECKED	SIZE	CAGE NO.	DWG NO.
ISSUED	A		
	SCALE		SHEET 1 OF 1

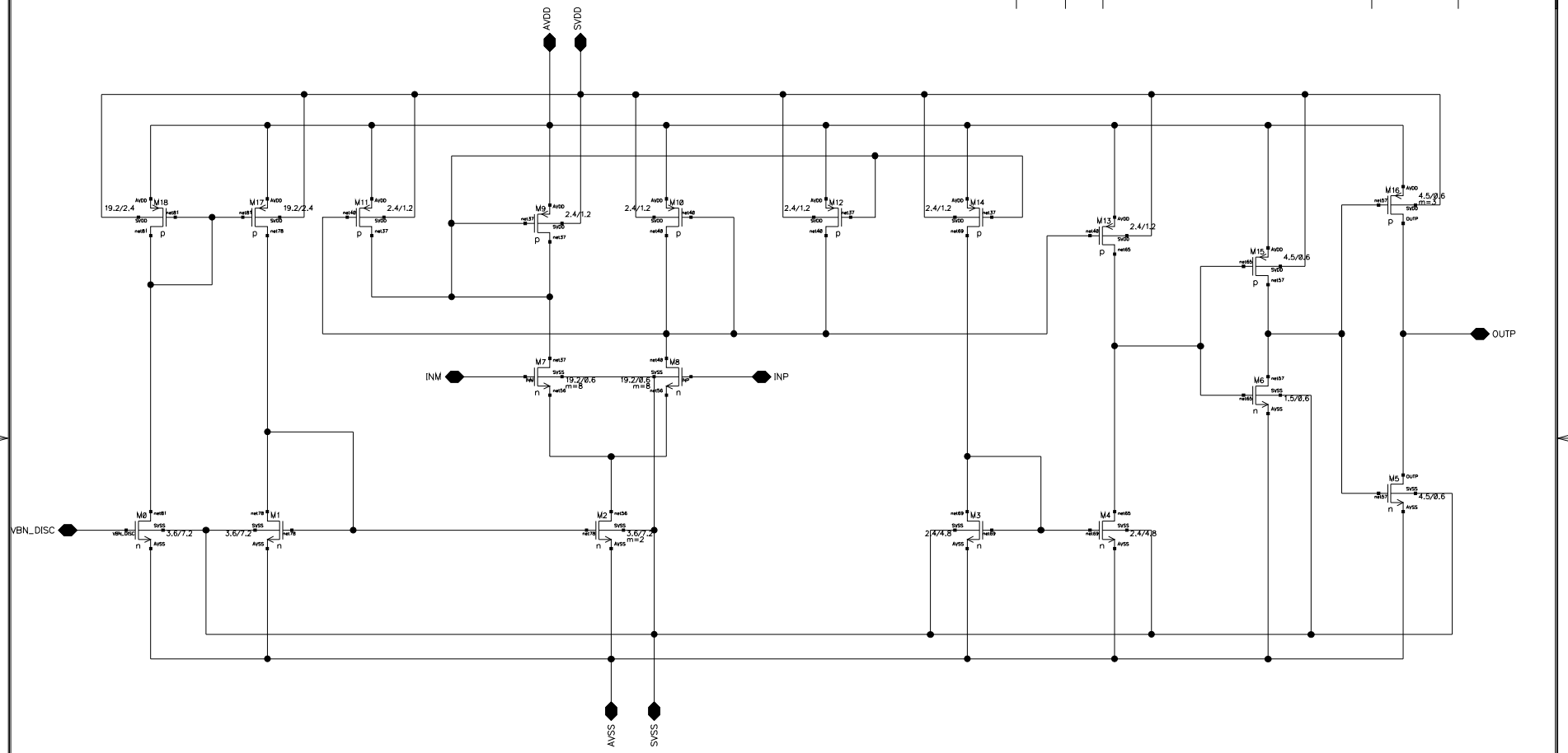
REVISIONS				
ZONE	REV	DESCRIPTION	DATE	APPROVED



UPDATED	Aug 25 07:40:26 2007
DRAWN	
CHECKED	
CHECKED	
ISSUED	

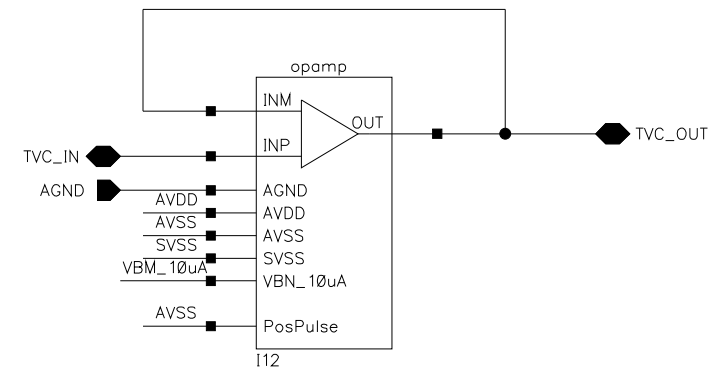
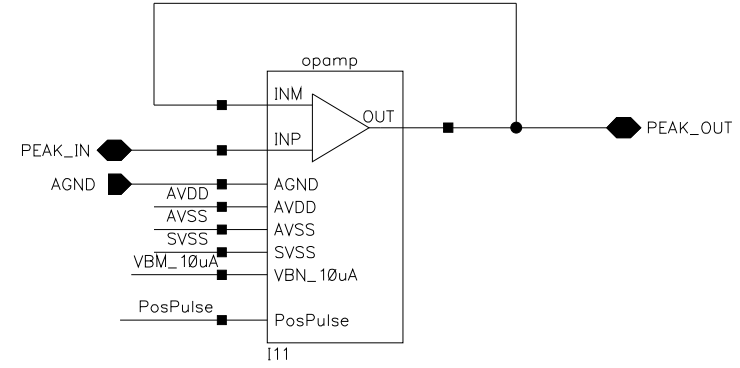
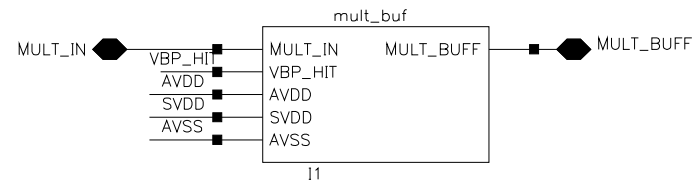
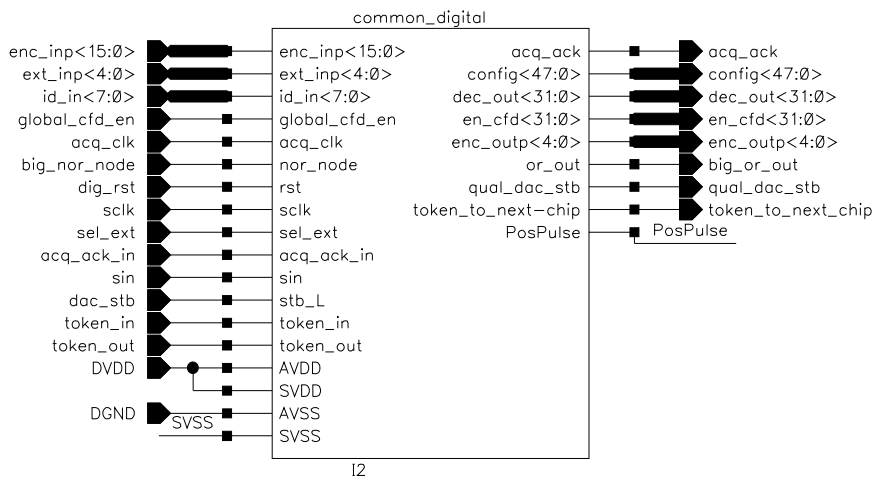
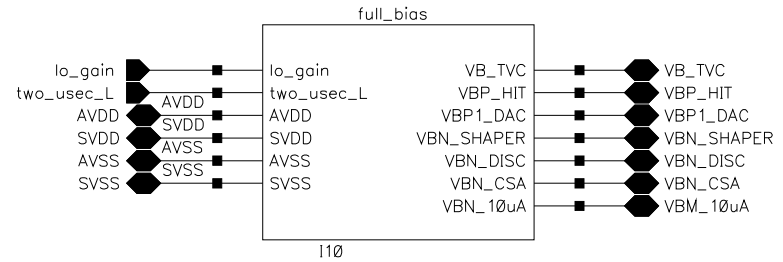
channel			
SIZE	B	CAGE NO.	
DWG NO.		REV	
SCALE		SHEET	1 OF 1

REVISIONS				
ZONE	REV	DESCRIPTION	DATE	APPROVED



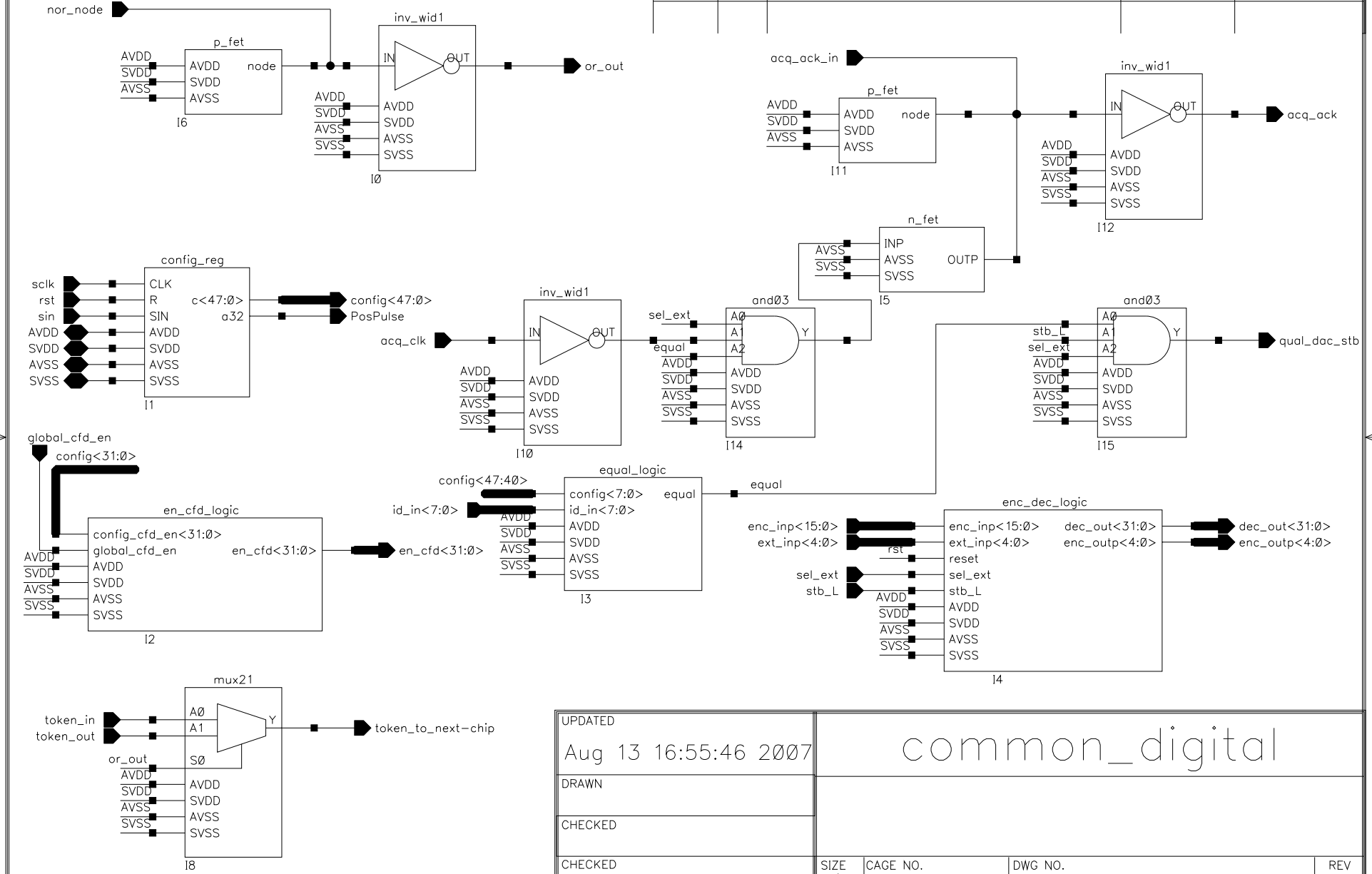
UPDATED Feb 4 14:37:39 2003	cmptr		
DRAWN			
CHECKED			
CHECKED	SIZE B	CAGE NO.	DWG NO.
ISSUED	SCALE	SHEET 1 OF 1	

REVISIONS				
ZONE	REV	DESCRIPTION	DATE	APPROVED



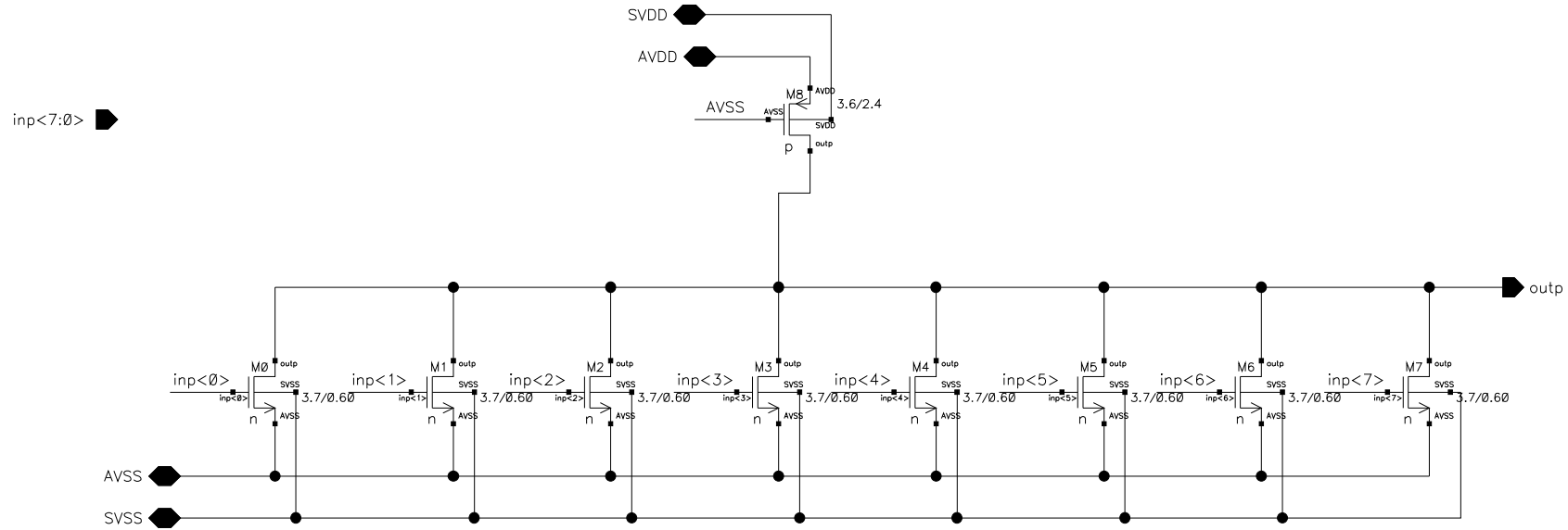
UPDATED	Aug 13 17:00:55 2007			common	
DRAWN					
CHECKED					
CHECKED	SIZE	CAGE NO.	DWG NO.	REV	
ISSUED	SCALE			SHEET 1 OF 1	

REVISIONS				
ZONE	REV	DESCRIPTION	DATE	APPROVED



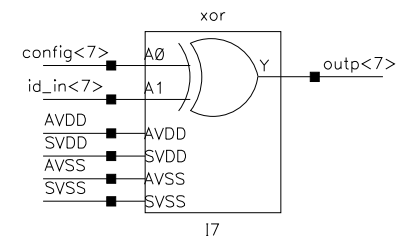
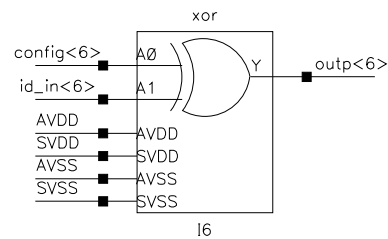
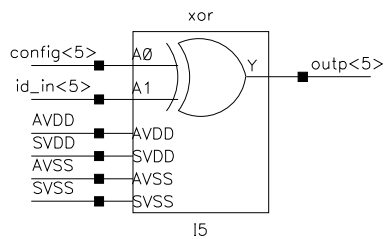
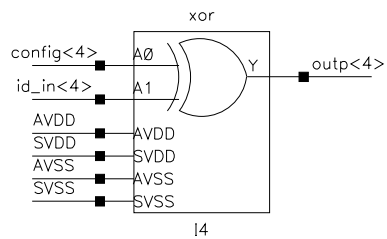
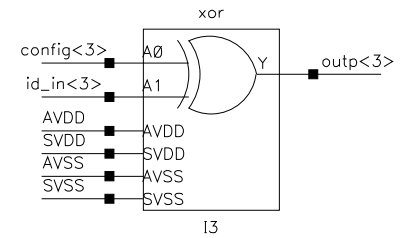
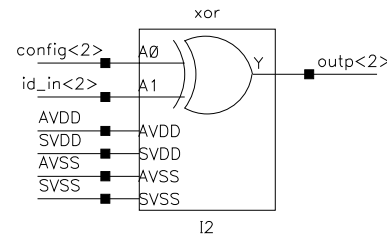
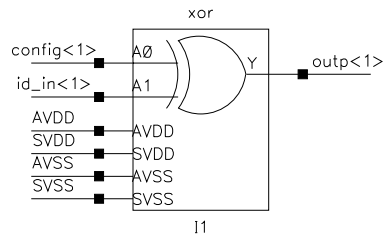
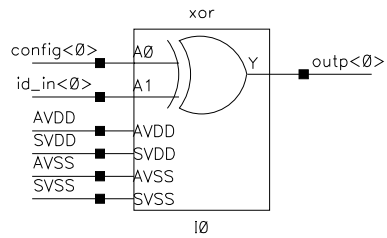
UPDATED	Aug 13 16:55:46 2007				common_digital			
DRAWN								
CHECKED								
CHECKED	SIZE	CAGE NO.	DWG NO.	REV				
ISSUED	SCALE				SHEET 1 OF 1			

REVISIONS				
ZONE	REV	DESCRIPTION	DATE	APPROVED



UPDATED	comp_nor		
Jun 28 17:09:15 2005			
DRAWN			
CHECKED			
CHECKED	SIZE A	CAGE NO.	DWG NO.
ISSUED	SCALE	SHEET 1 OF 1	

REVISIONS				
ZONE	REV	DESCRIPTION	DATE	APPROVED

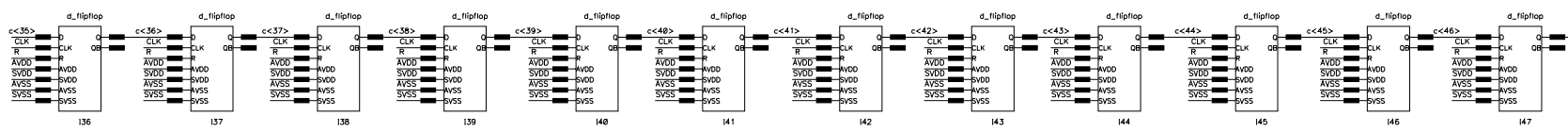
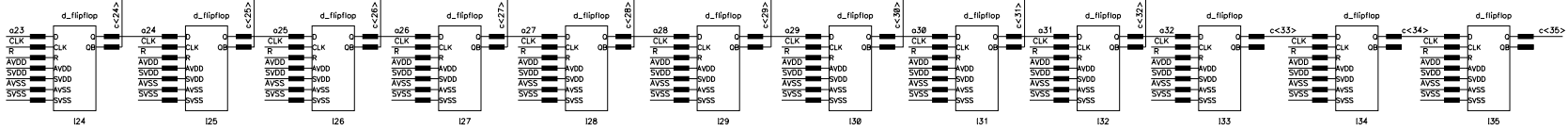
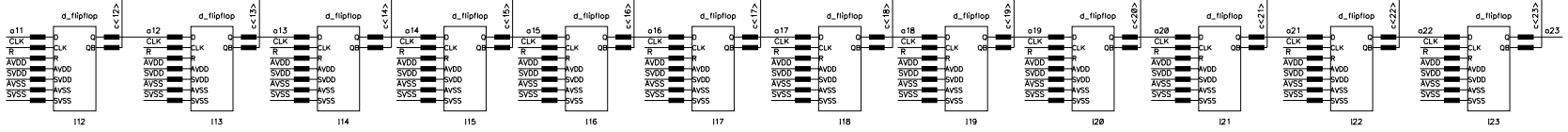
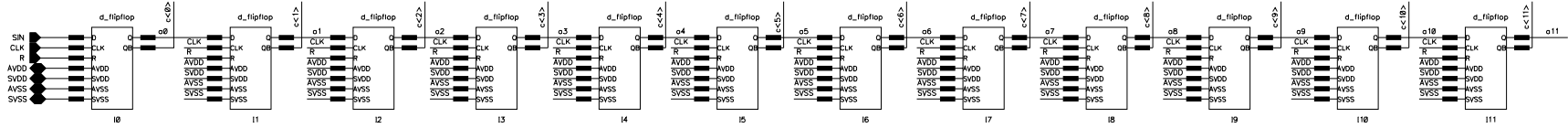


config<7:0>   outp<7:0>  
 id\_in<7:0> 

AVDD   
 SVDD   
 AVSS   
 SVSS 

UPDATED	comparator		
Sep 5 14:30:20 2002			
DRAWN			
CHECKED			
CHECKED	SIZE	CAGE NO.	DWG NO.
ISSUED	SCALE	SHEET 1 OF 1	

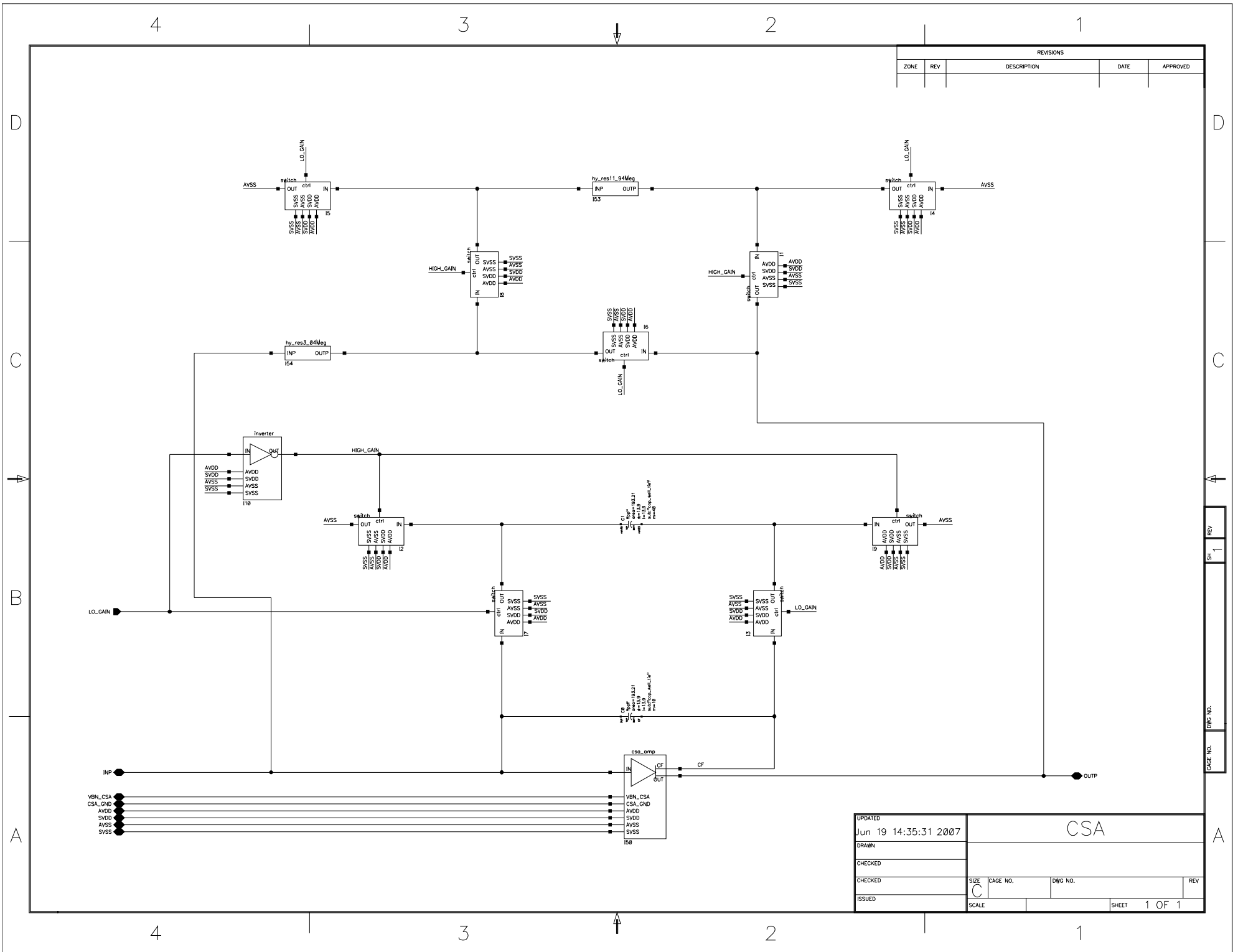
REVISIONS				
ZONE	REV	DESCRIPTION	DATE	APPROVED



c<47>  
o32

UPDATED	Aug 22 12:08:49 2007	config_reg		
DRAWN				
CHECKED				
CHECKED		SIZE	CAGE NO.	DWG No.
ISSUED		SCALE		SHEET 1 OF 1





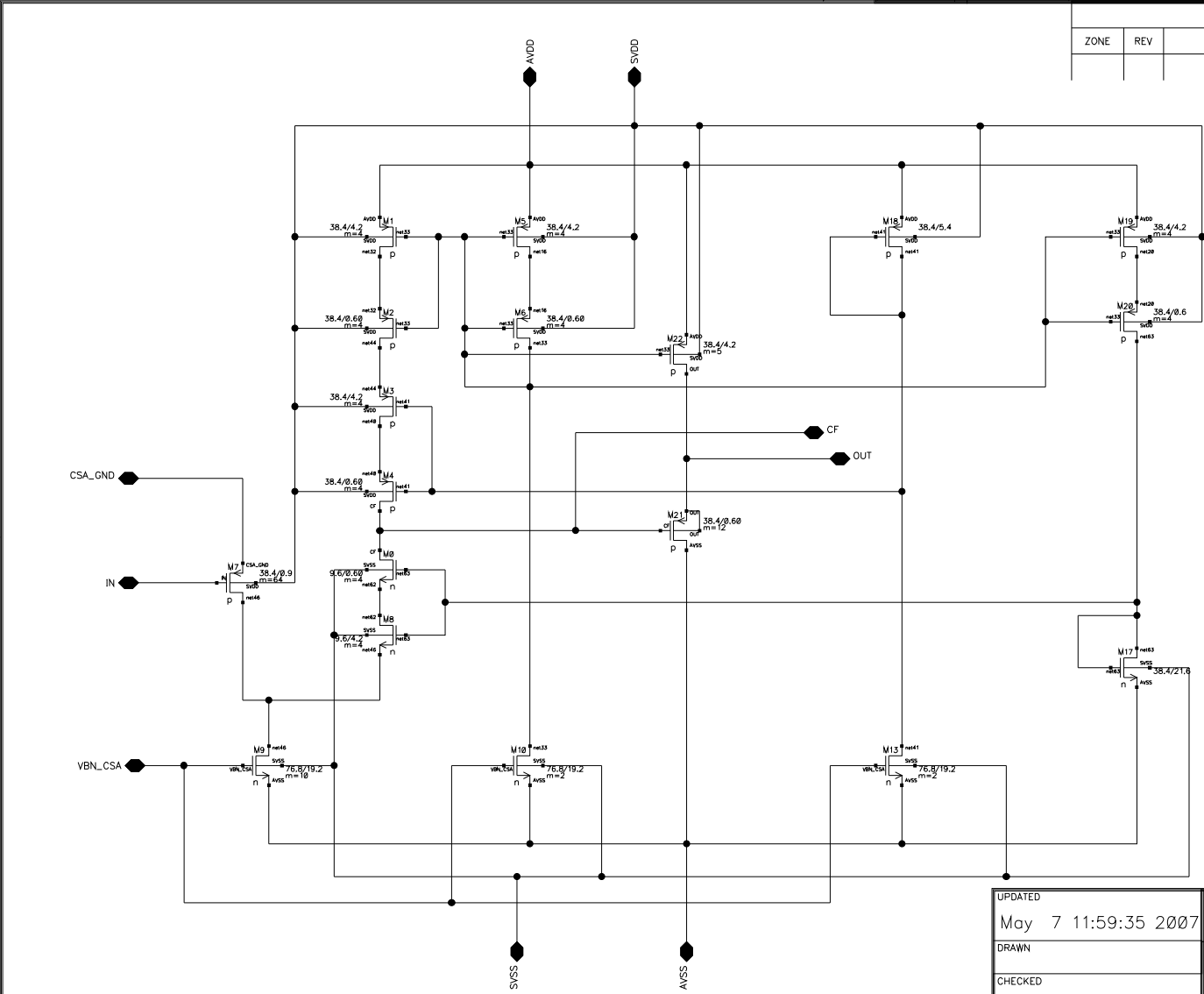
REVISIONS				
ZONE	REV	DESCRIPTION	DATE	APPROVED

REV	1
DWG NO.	

UPDATED	Jun 19 14:35:31 2007	CSA		
DRAWN				
CHECKED				
CHECKED		SIZE C	CAGE NO.	DWG NO.
ISSUED		SCALE		SHEET 1 OF 1

CAGE NO. DWG NO. csa\_amp SH 1 REV

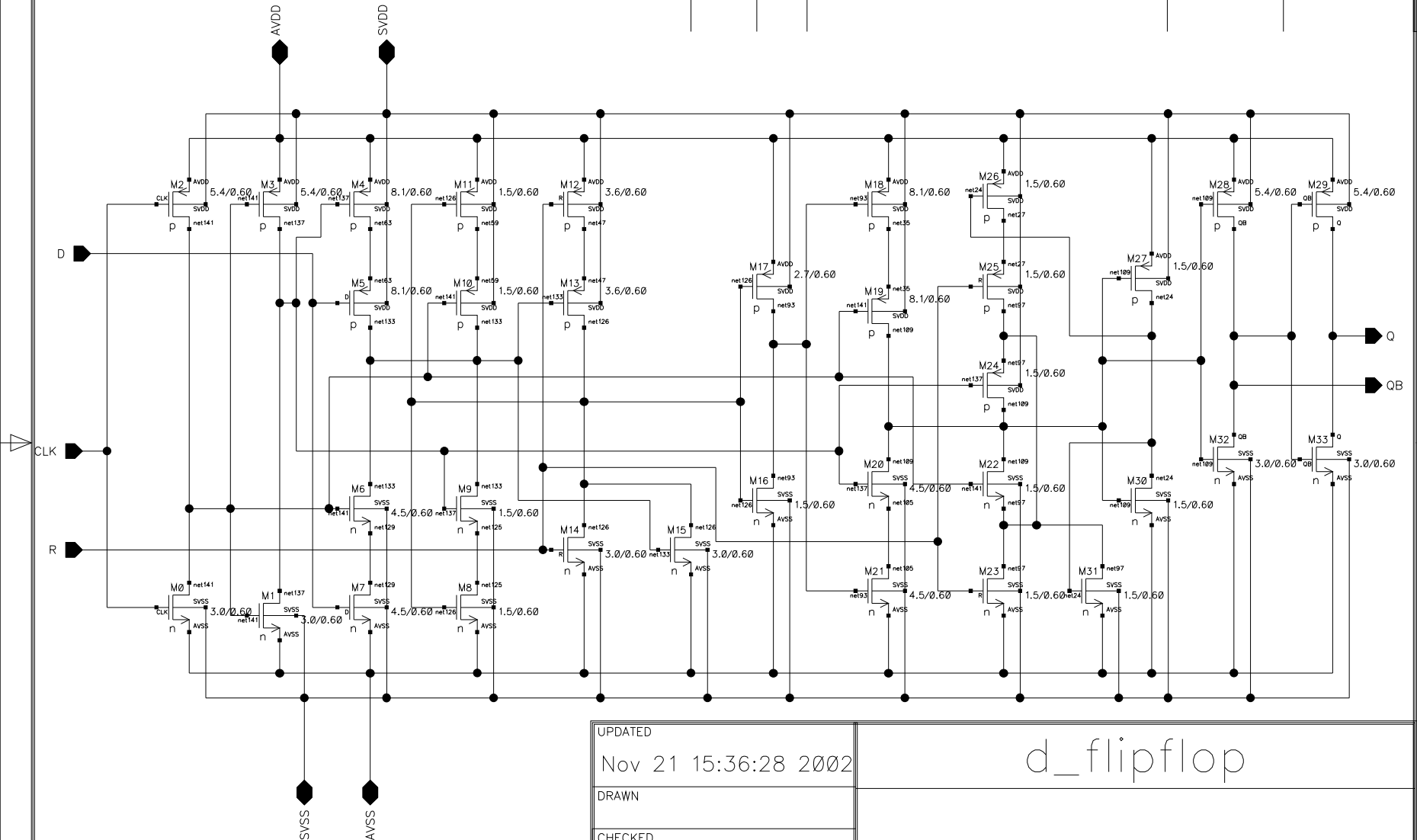
REVISIONS				
ZONE	REV	DESCRIPTION	DATE	APPROVED



UPDATED  
May 7 11:59:35 2007  
DRAWN  
CHECKED  
CHECKED  
ISSUED

SIUE				
SIZE B	CAGE NO.	DWG NO. csa_amp	REV	
SCALE	SHEET		1 OF 1	

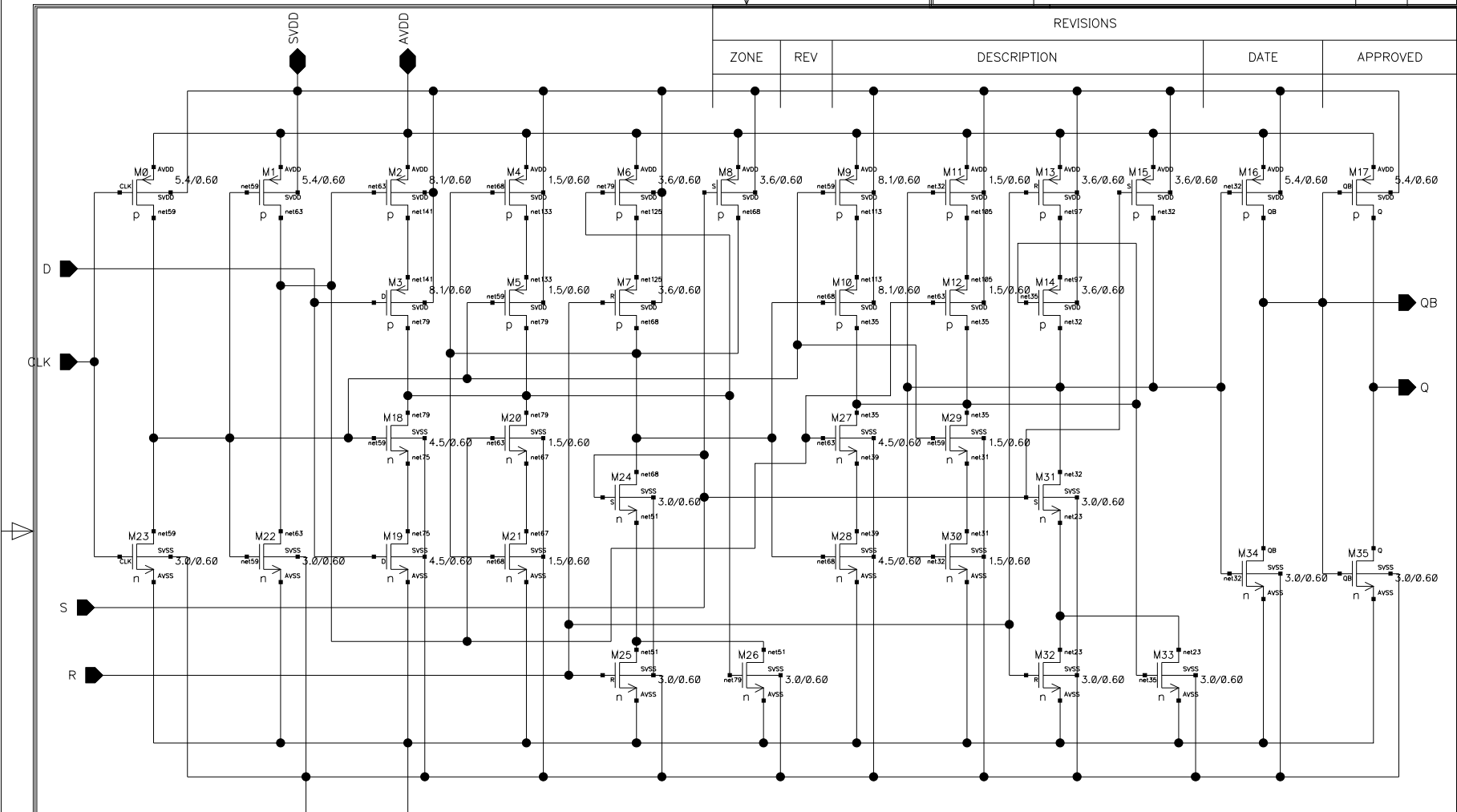
REVISIONS				
ZONE	REV	DESCRIPTION	DATE	APPROVED



UPDATED	Nov 21 15:36:28 2002
DRAWN	
CHECKED	
CHECKED	
ISSUED	

d_flipflop			
SIZE	CAGE NO.	DWG NO.	REV
A			
SCALE	SHEET 1 OF 1		

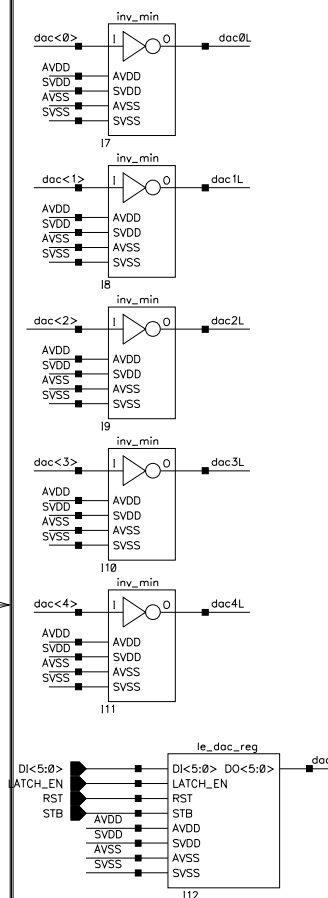
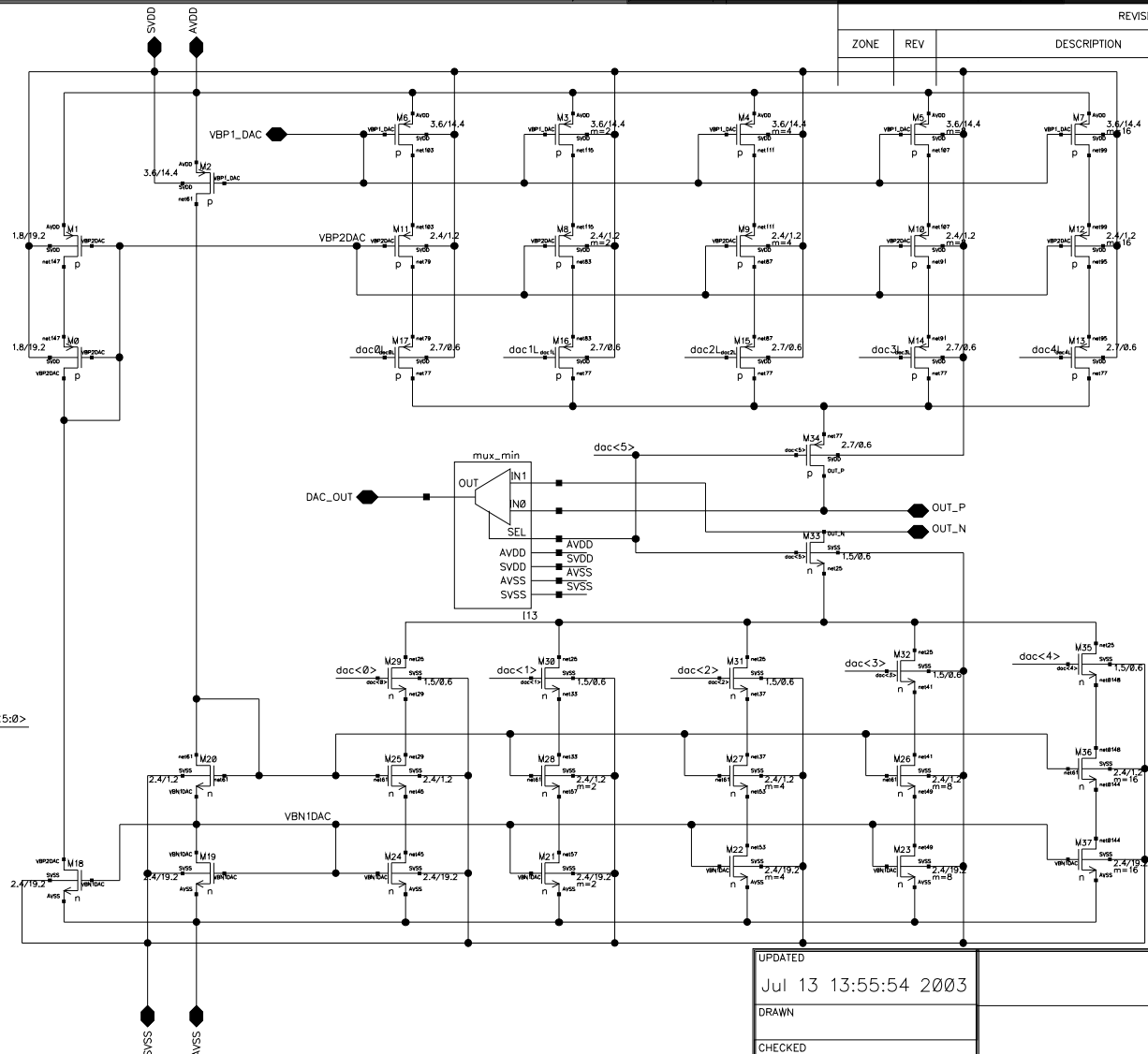
REVISIONS				
ZONE	REV	DESCRIPTION	DATE	APPROVED



UPDATED Aug 19 15:45:53 2002	d_flipflop_sr		
DRAWN			
CHECKED			
CHECKED	SIZE A	CAGE NO.	DWG NO.
ISSUED	SCALE	SHEET 1 OF 1	

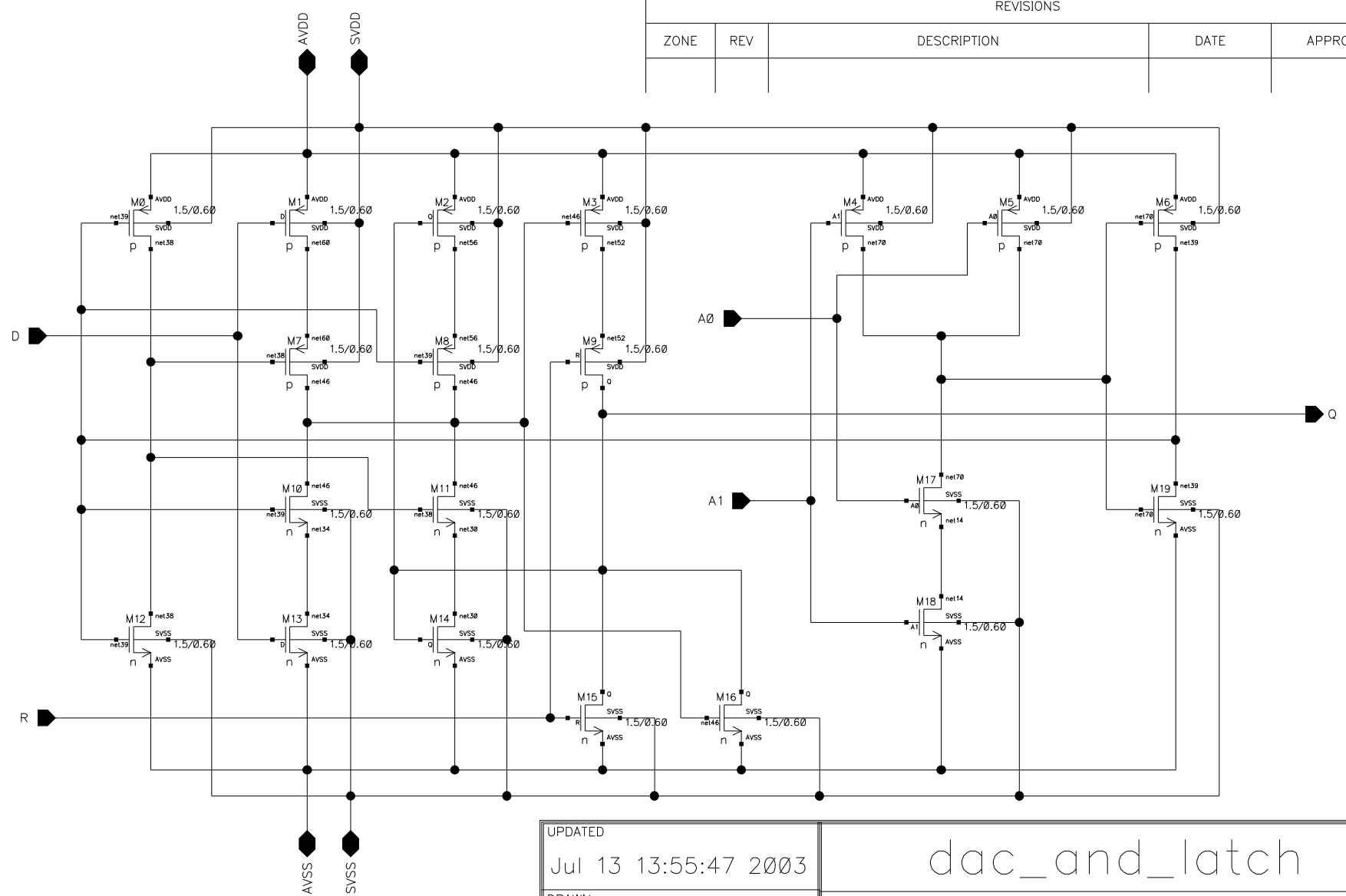


REVISIONS				
ZONE	REV	DESCRIPTION	DATE	APPROVED



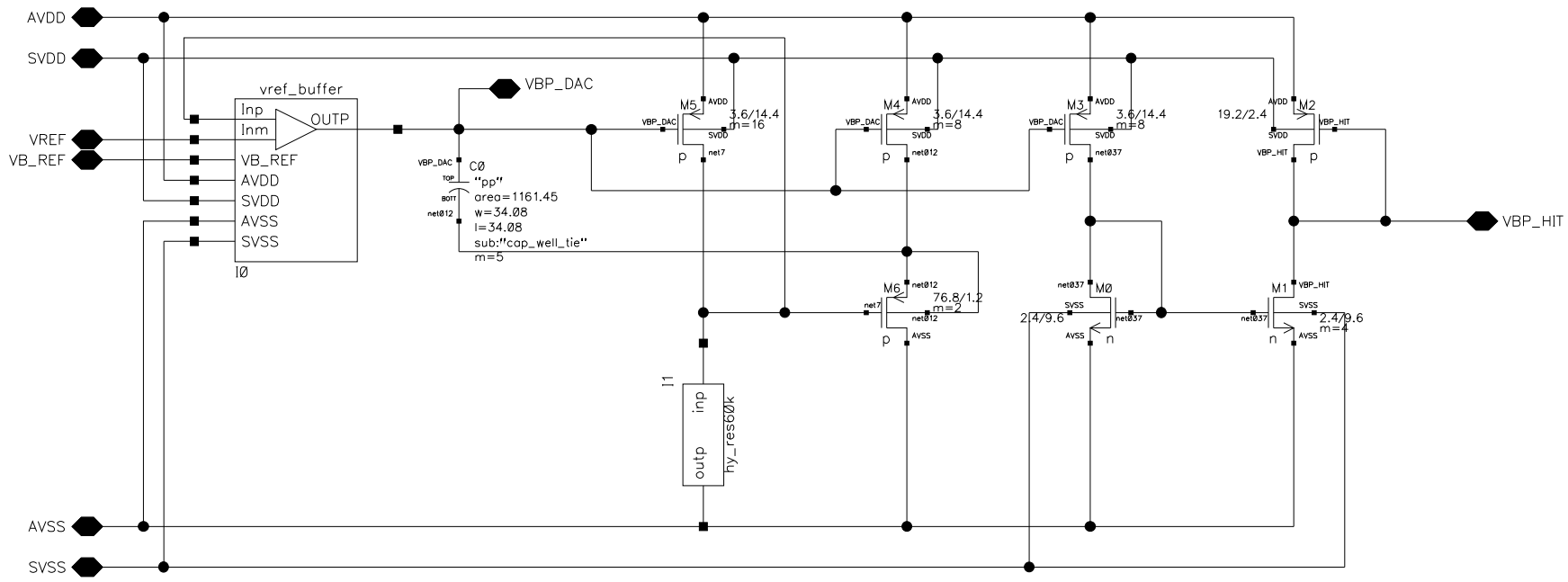
UPDATED Jul 13 13:55:54 2003	dac			
DRAWN				
CHECKED				
CHECKED	SIZE B	CAGE NO.	DWG NO.	REV
ISSUED	SCALE	SHEET 1 OF 1		

REVISIONS				
ZONE	REV	DESCRIPTION	DATE	APPROVED



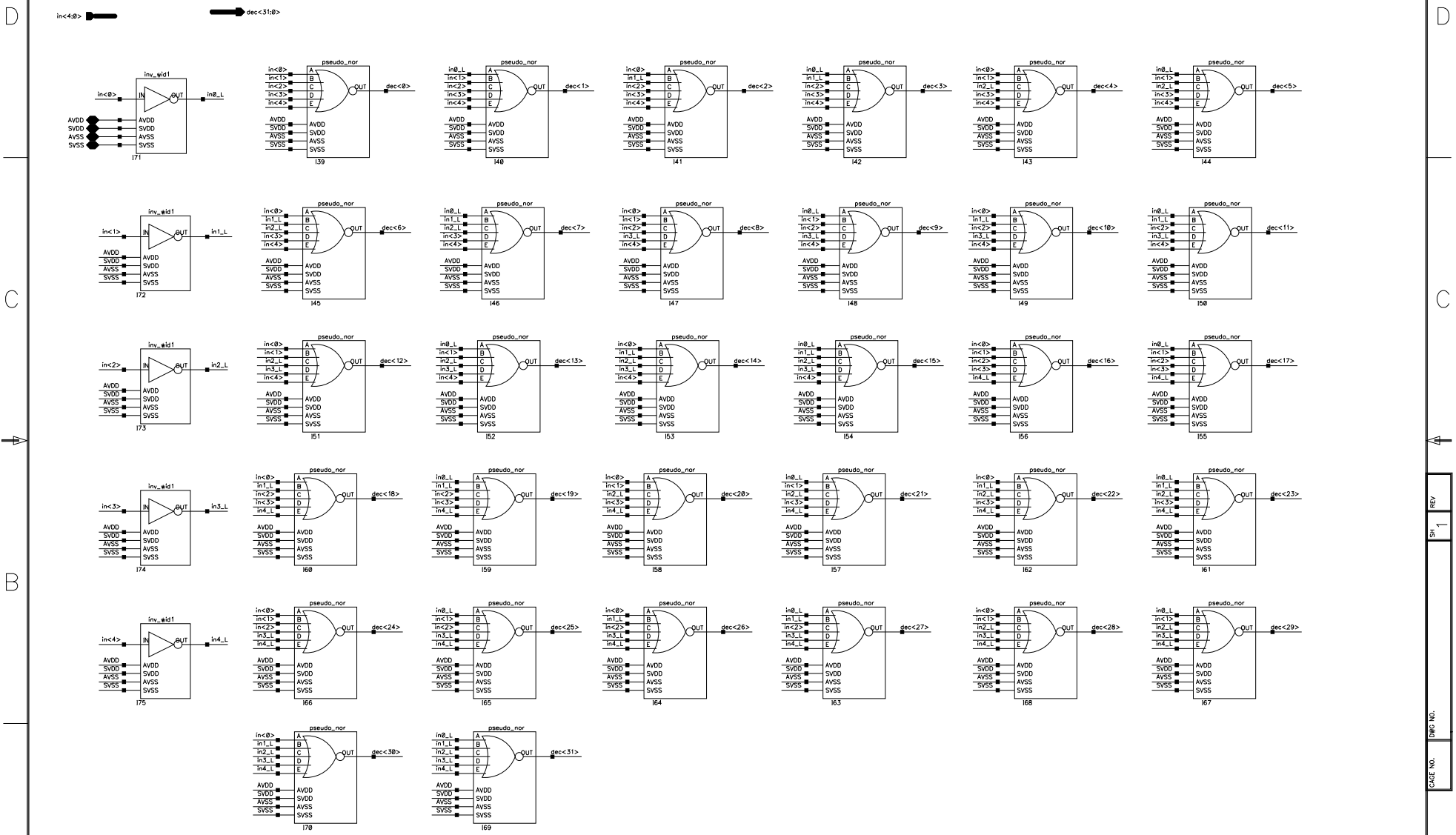
UPDATED	Jul 13 13:55:47 2003			dac_and_latch	
DRAWN					
CHECKED					
CHECKED	SIZE	CAGE NO.	DWG NO.	REV	
ISSUED	A				
	SCALE			SHEET	1 OF 1

REVISIONS				
ZONE	REV	DESCRIPTION	DATE	APPROVED



UPDATED	Jun 20 16:10:59 2005				dac_bias				
DRAWN									
CHECKED									
CHECKED	SIZE	CAGE NO.	DWG NO.	REV					
ISSUED	A				SCALE			SHEET	1 OF 1

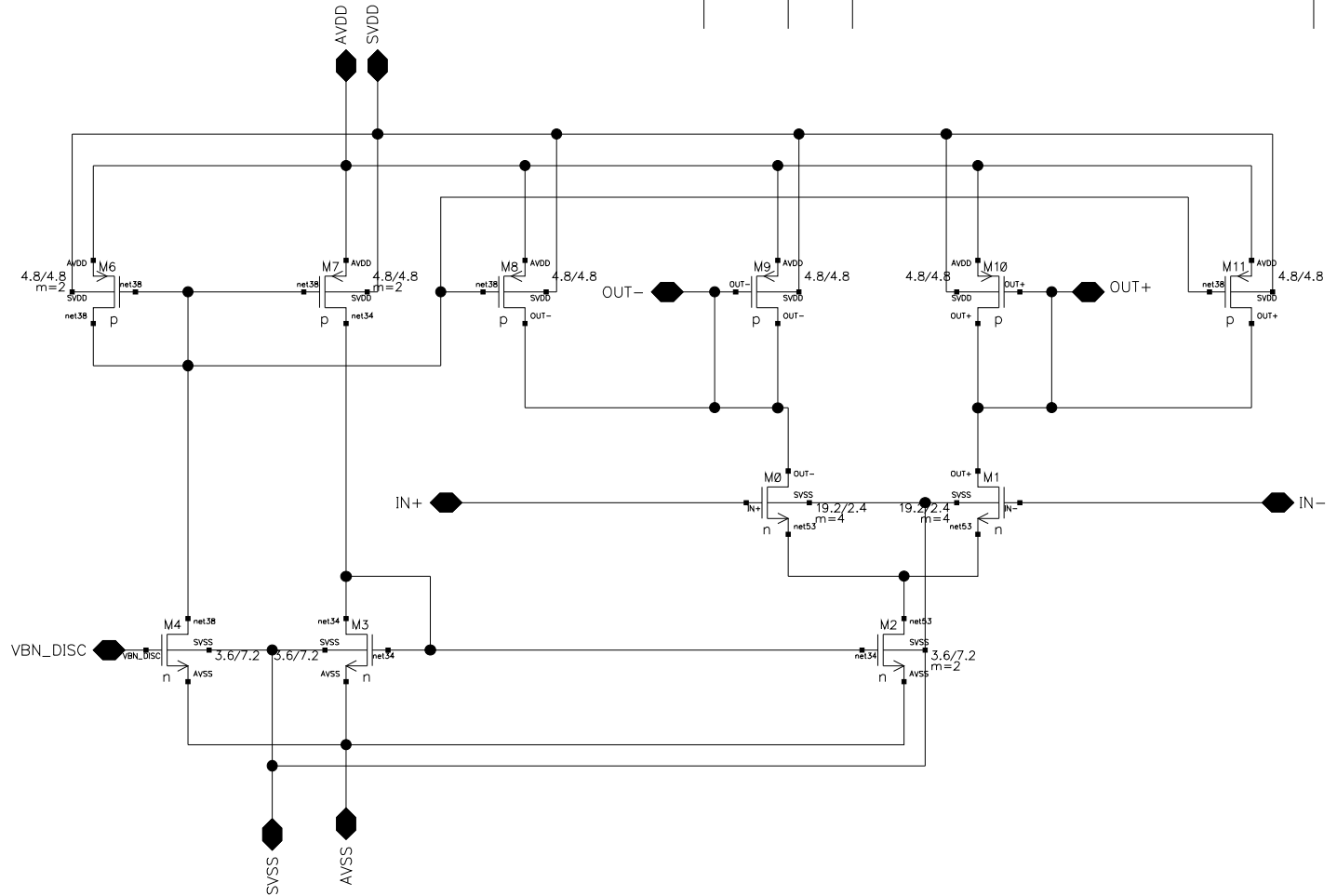
REVISIONS				
ZONE	REV	DESCRIPTION	DATE	APPROVED



UPDATED Sep 5 14:29:11 2002	dec5to32		
DRAWN			
CHECKED			
CHECKED	SIZE C	CAGE NO.	DWG NO.
ISSUED	SCALE		SHEET 1 OF 1

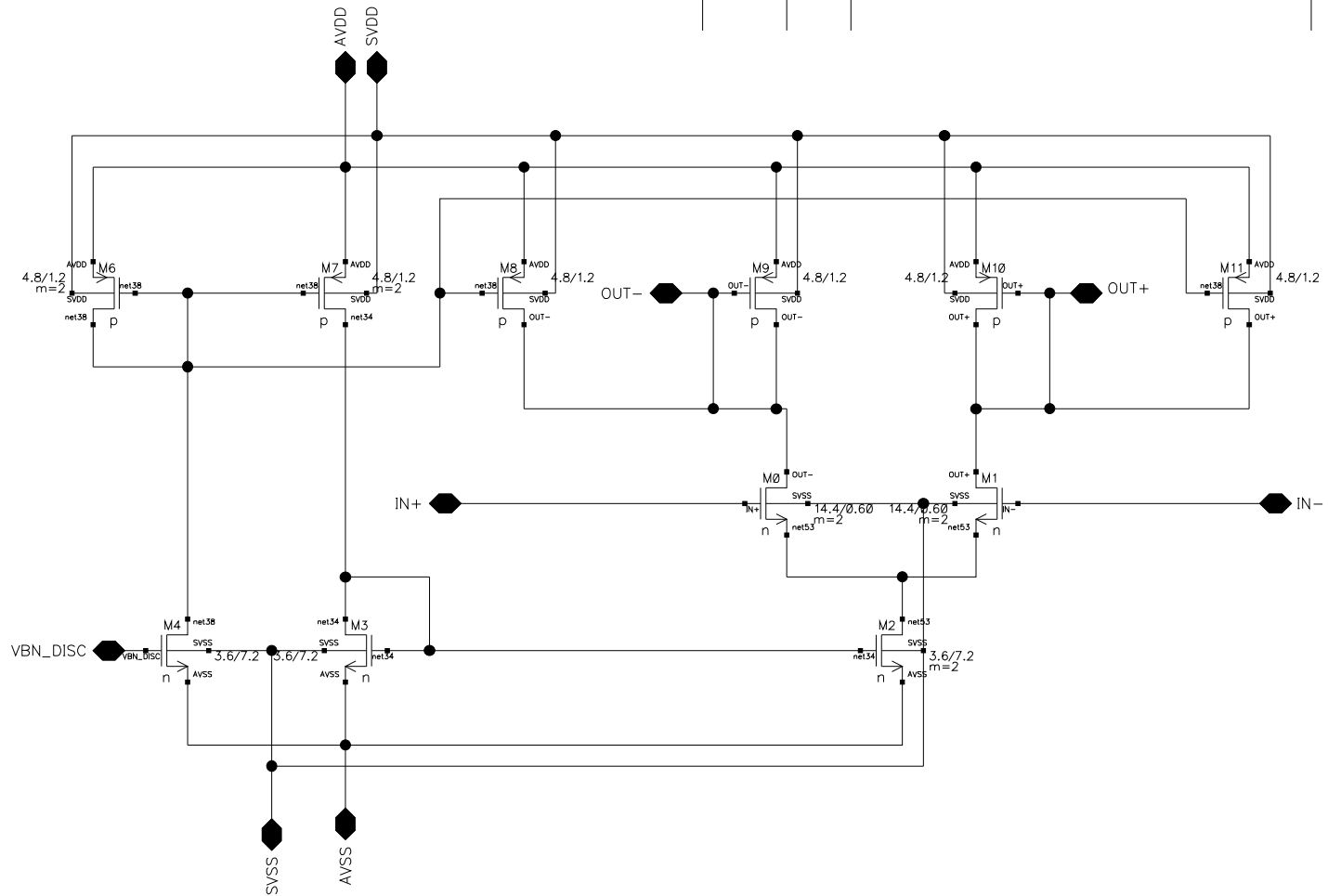
REV 1  
DWG NO.

REVISIONS				
ZONE	REV	DESCRIPTION	DATE	APPROVED



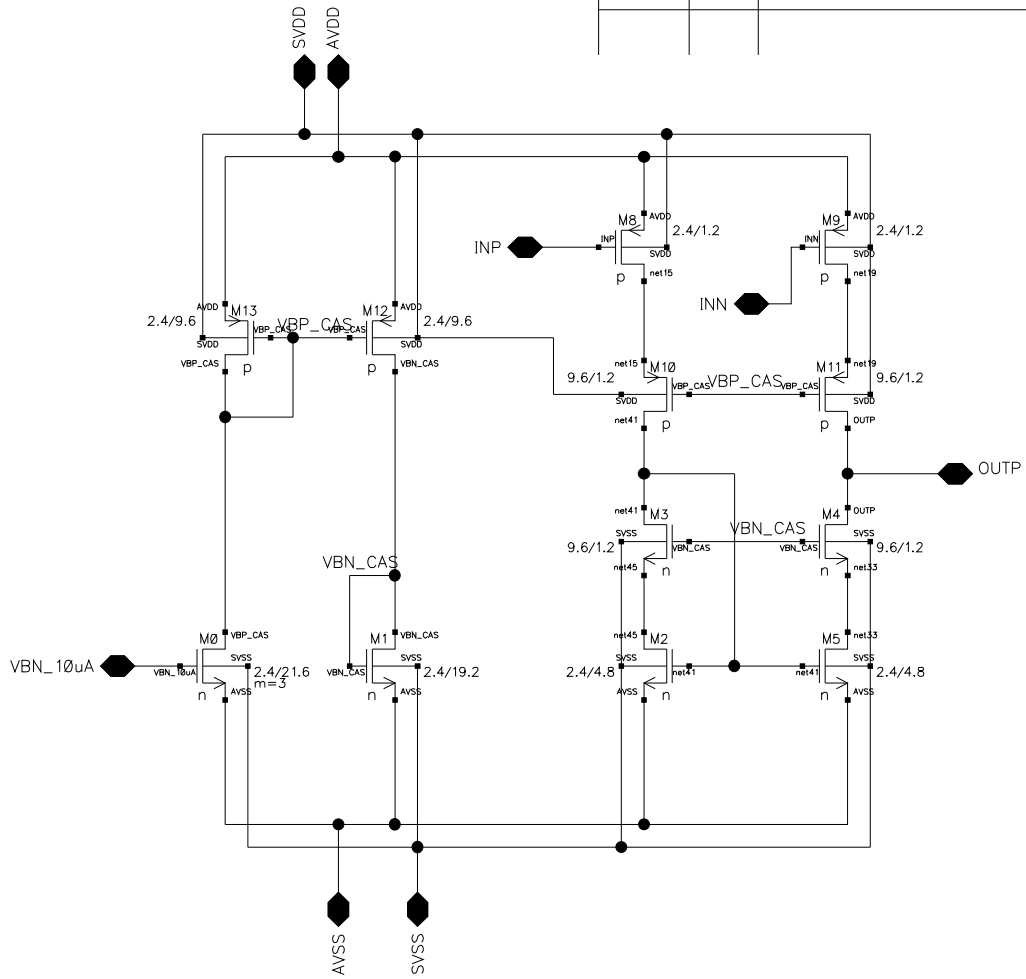
UPDATED	diff_amp_le			
Feb 4 14:37:32 2003				
DRAWN				
CHECKED				
CHECKED	SIZE	CAGE NO.	DWG NO.	REV
ISSUED	A			
	SCALE			SHEET 1 OF 1

REVISIONS				
ZONE	REV	DESCRIPTION	DATE	APPROVED



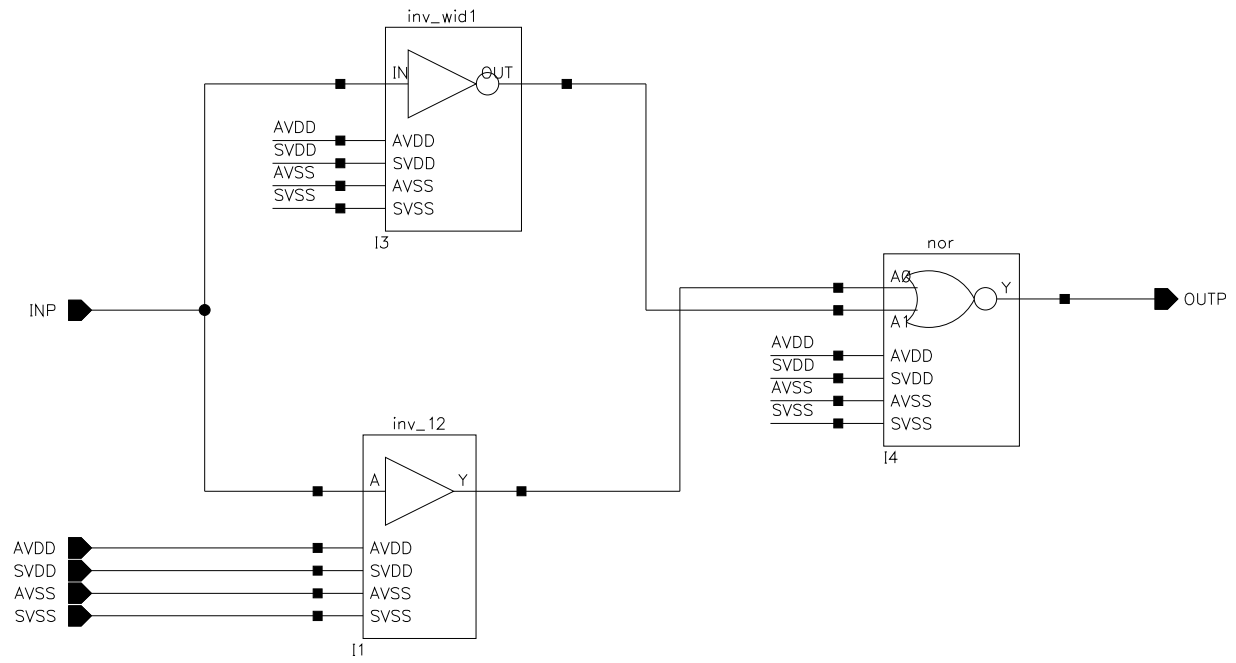
UPDATED	diff_amp_zc			
Oct 16 14:33:30 2002				
DRAWN				
CHECKED				
CHECKED	SIZE	CAGE NO.	DWG NO.	REV
ISSUED	A			
	SCALE			SHEET 1 OF 1

REVISIONS				
ZONE	REV	DESCRIPTION	DATE	APPROVED



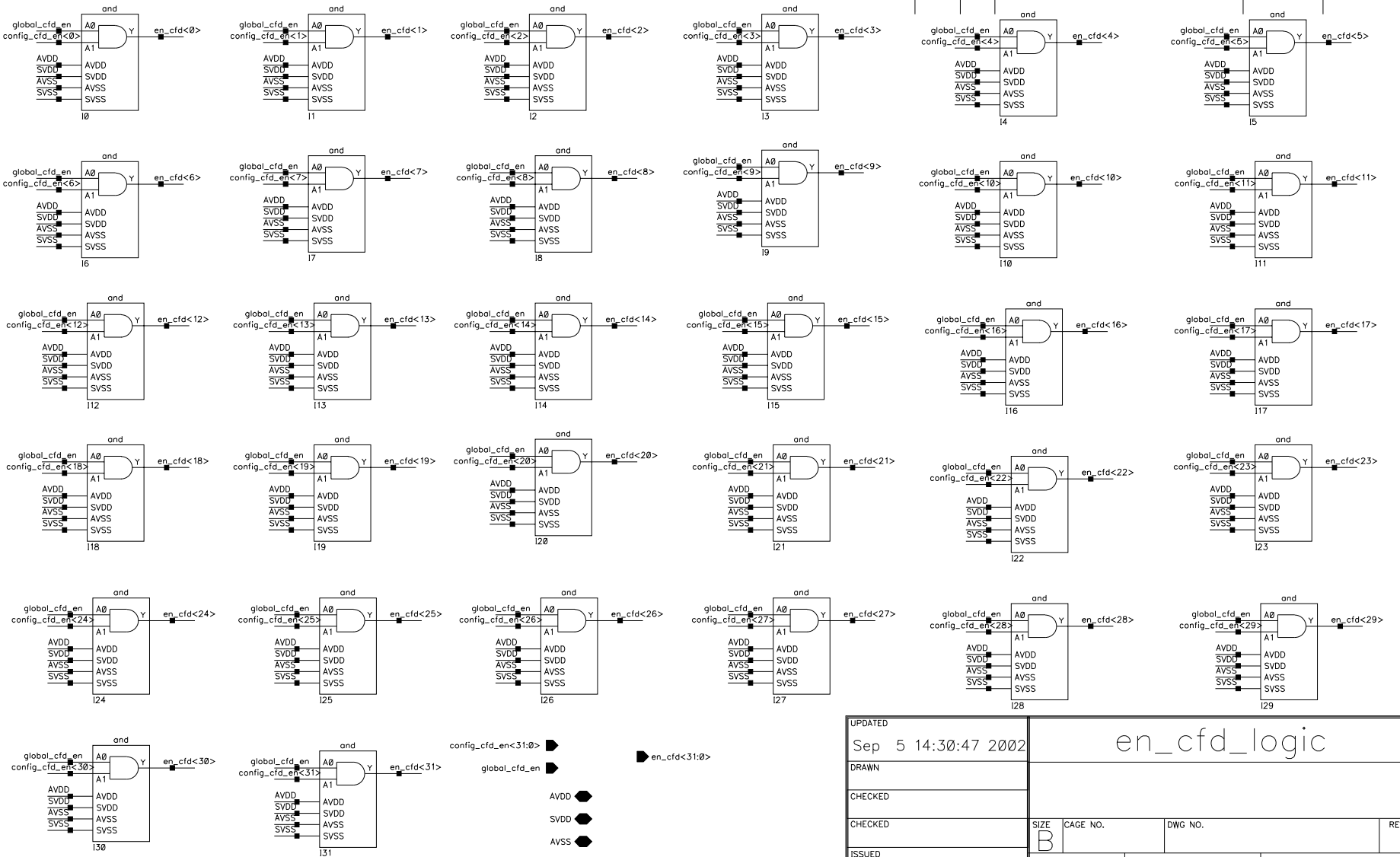
UPDATED	diff2single			
Aug 5 12:51:40 2002				
DRAWN				
CHECKED				
CHECKED	SIZE	CAGE NO.	DWG NO.	REV
ISSUED	A			
	SCALE			SHEET 1 OF 1

REVISIONS				
ZONE	REV	DESCRIPTION	DATE	APPROVED



UPDATED	edge_det_pos			
Jul 24 16:29:25 2003				
DRAWN				
CHECKED				
CHECKED	SIZE	CAGE NO.	DWG NO.	REV
ISSUED	A			
	SCALE			SHEET 1 OF 1

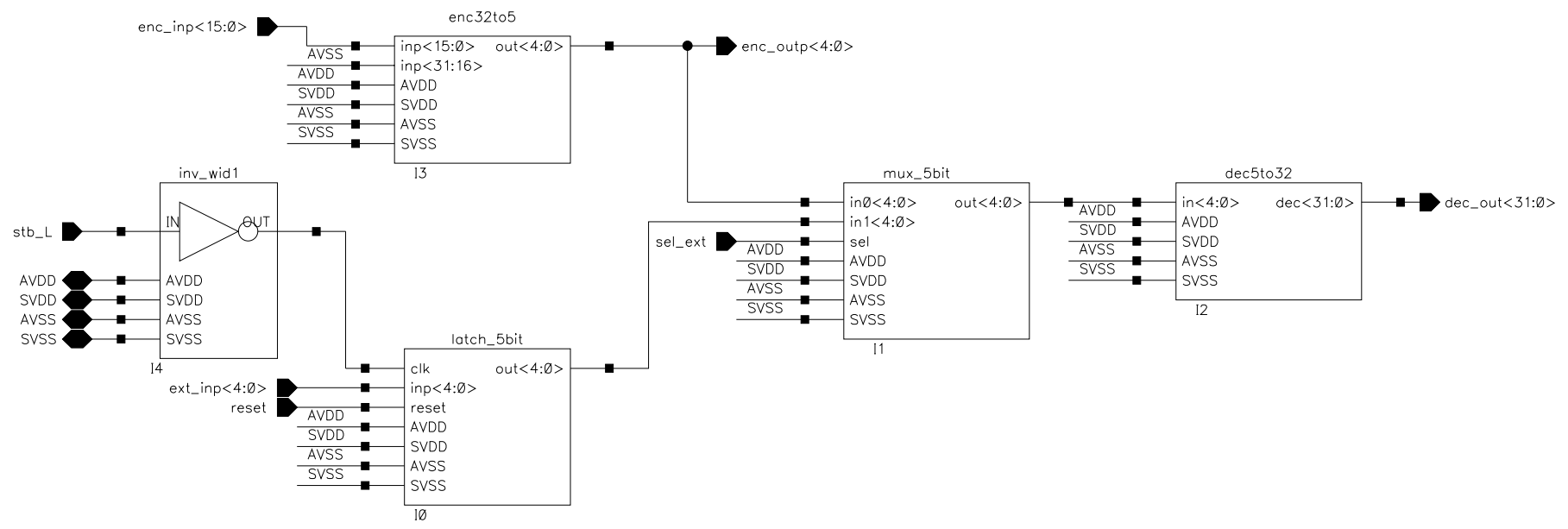
REVISIONS				
ZONE	REV	DESCRIPTION	DATE	APPROVED



UPDATED Sep 5 14:30:47 2002		en_cfd_logic			
DRAWN					
CHECKED		SIZE	CAGE NO.	DWG NO.	REV
ISSUED		B			
SCALE				SHEET 1 OF 1	



REVISIONS				
ZONE	REV	DESCRIPTION	DATE	APPROVED

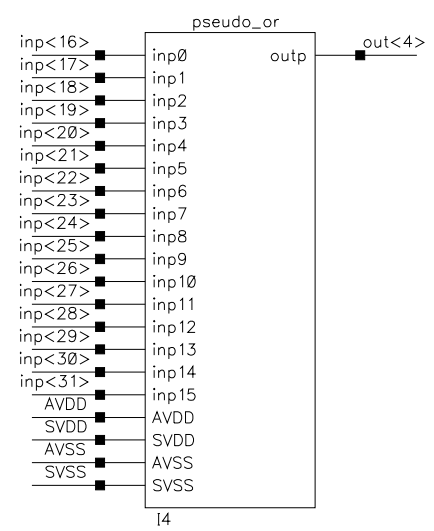
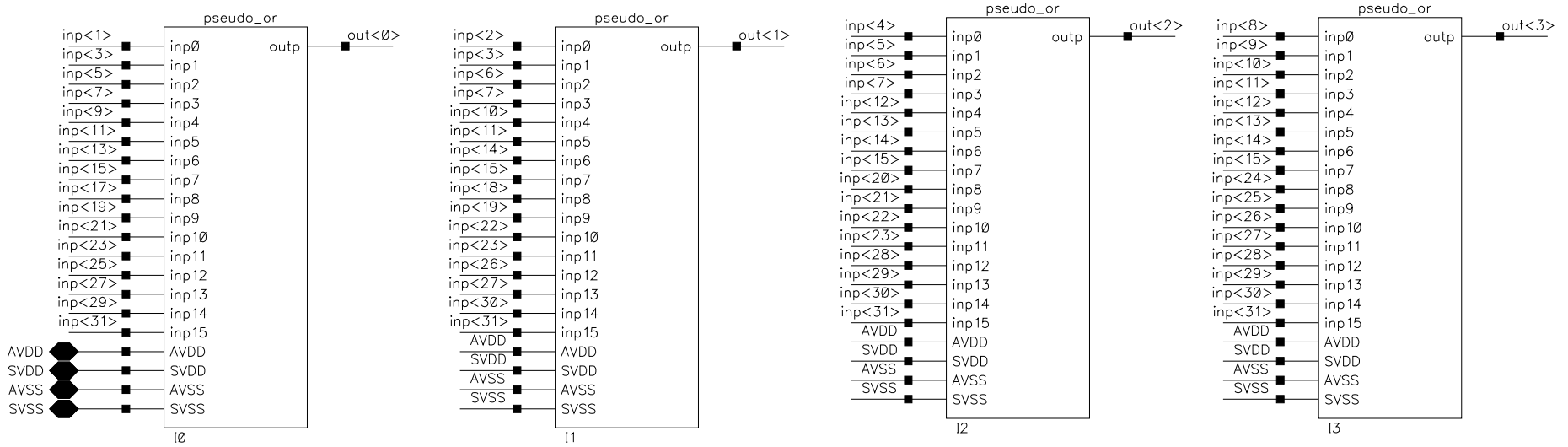


UPDATED	enc_dec_logic			
Sep 28 15:57:45 2005				
DRAWN				
CHECKED				
CHECKED	SIZE	CAGE NO.	DWG NO.	REV
ISSUED	A			
	SCALE			SHEET 1 OF 1

REVISIONS				
ZONE	REV	DESCRIPTION	DATE	APPROVED

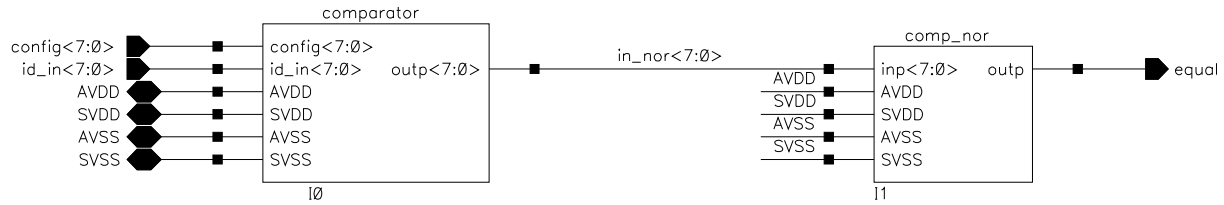
inp<15:0> out<4:0>

inp<31:16>



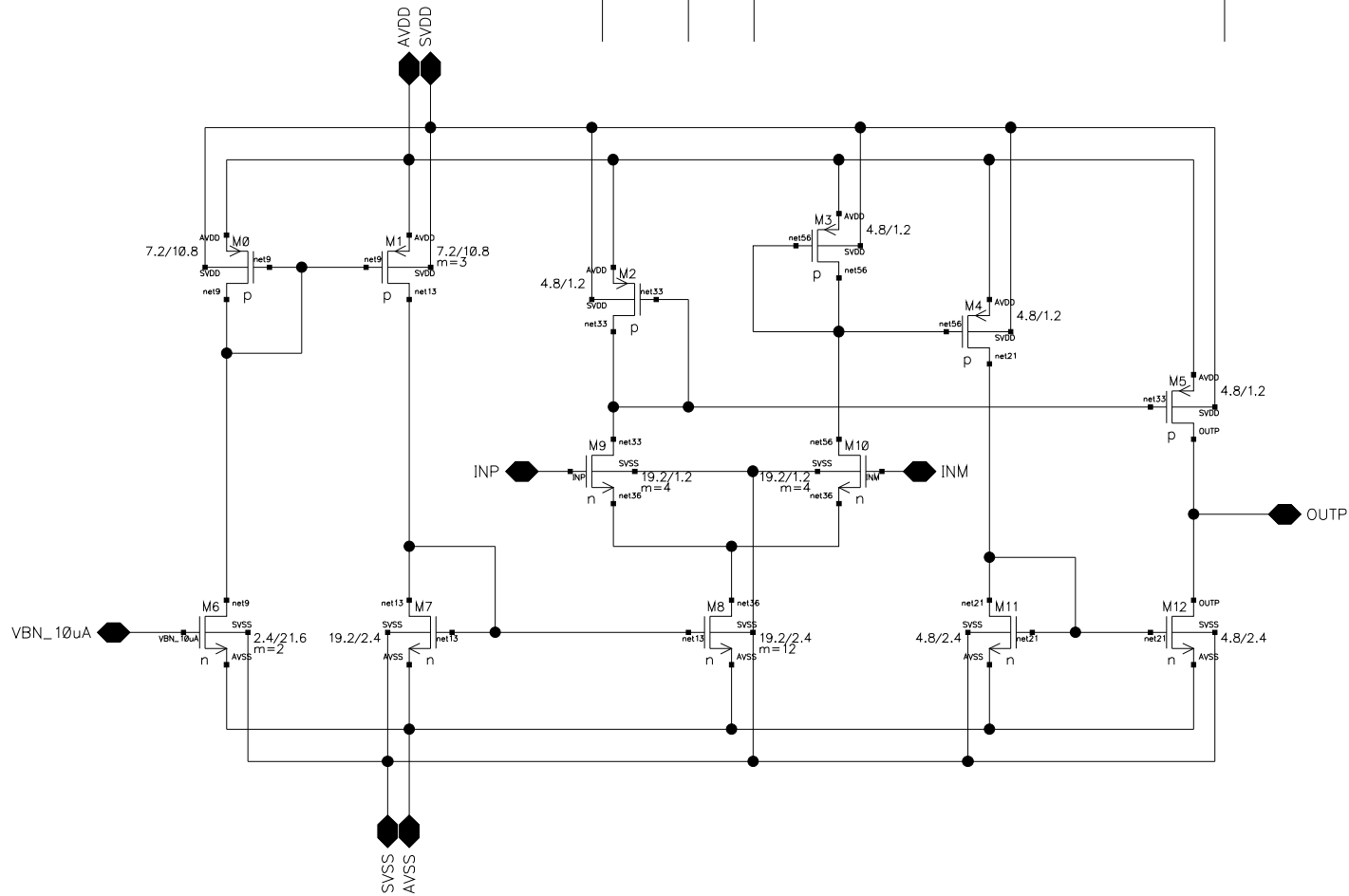
UPDATED	Sep 28 16:10:29 2005			enc32to5	
DRAWN					
CHECKED					
CHECKED	SIZE	CAGE NO.	DWG NO.	REV	
ISSUED	A				
	SCALE			SHEET 1 OF 1	

REVISIONS				
ZONE	REV	DESCRIPTION	DATE	APPROVED



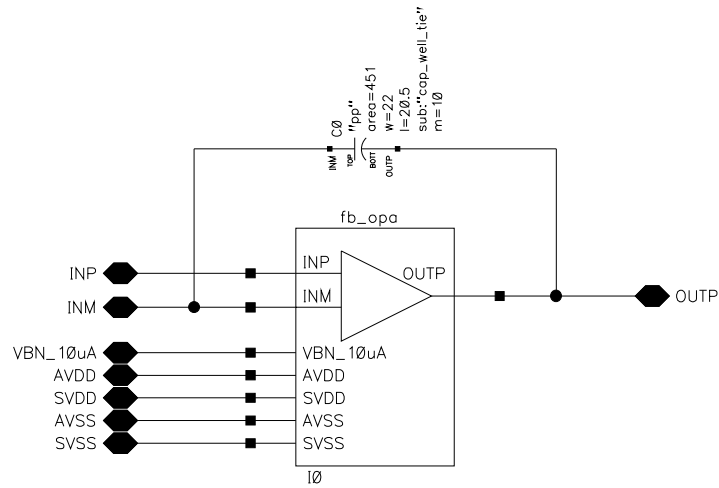
UPDATED	equal_logic			
Jun 28 17:09:20 2005				
DRAWN				
CHECKED				
CHECKED	SIZE	CAGE NO.	DWG NO.	REV
ISSUED	A			
	SCALE			SHEET 1 OF 1

REVISIONS				
ZONE	REV	DESCRIPTION	DATE	APPROVED



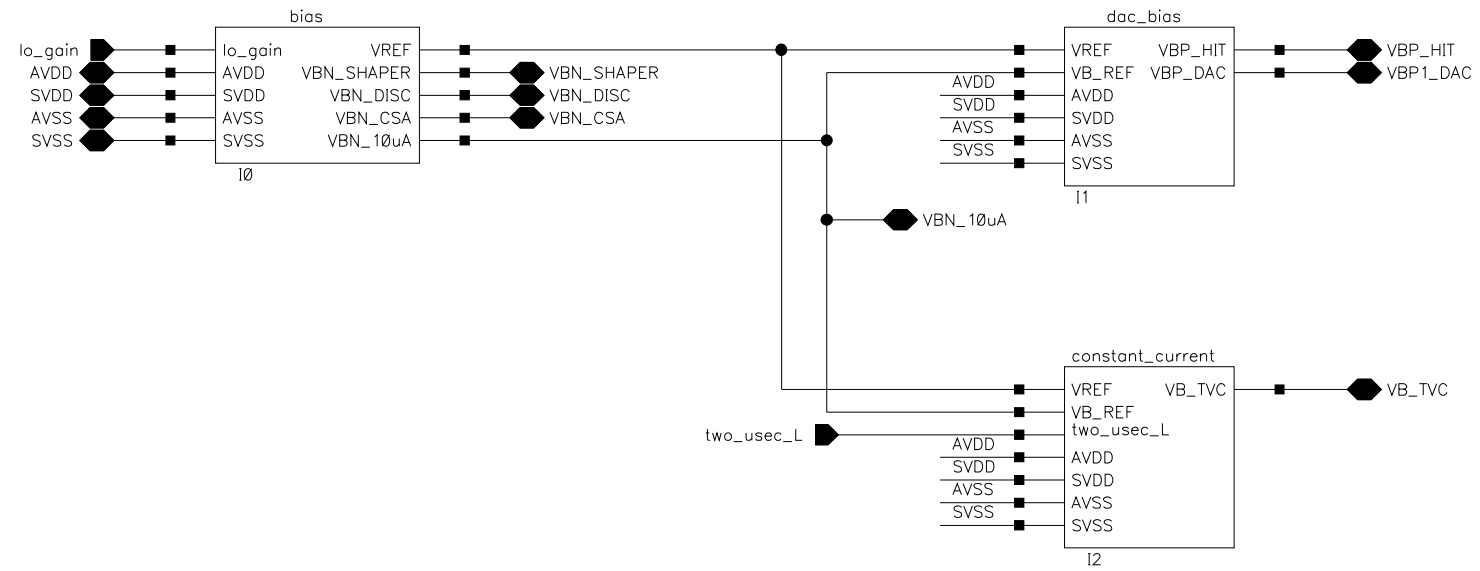
UPDATED	fb_opa			
Aug 20 14:04:06 2002				
DRAWN				
CHECKED				
CHECKED	SIZE	CAGE NO.	DWG NO.	REV
ISSUED	A			
	SCALE			SHEET 1 OF 1

REVISIONS				
ZONE	REV	DESCRIPTION	DATE	APPROVED



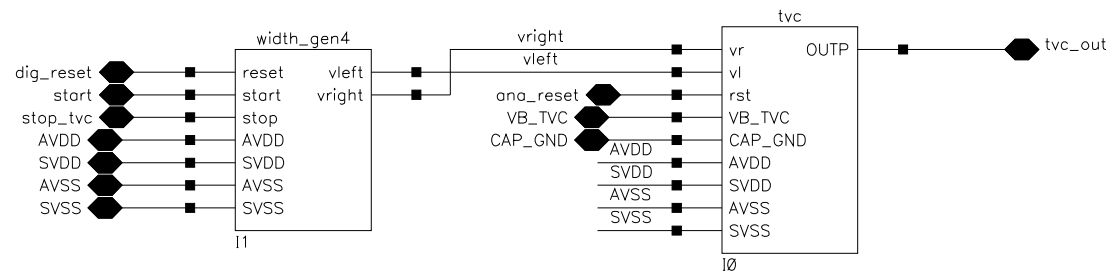
UPDATED	Jun 28 16:36:25 2007				fb_opa_cap				
DRAWN									
CHECKED									
CHECKED	SIZE	CAGE NO.	DWG NO.	REV					
ISSUED	SCALE				SHEET	1 OF 1			

REVISIONS				
ZONE	REV	DESCRIPTION	DATE	APPROVED



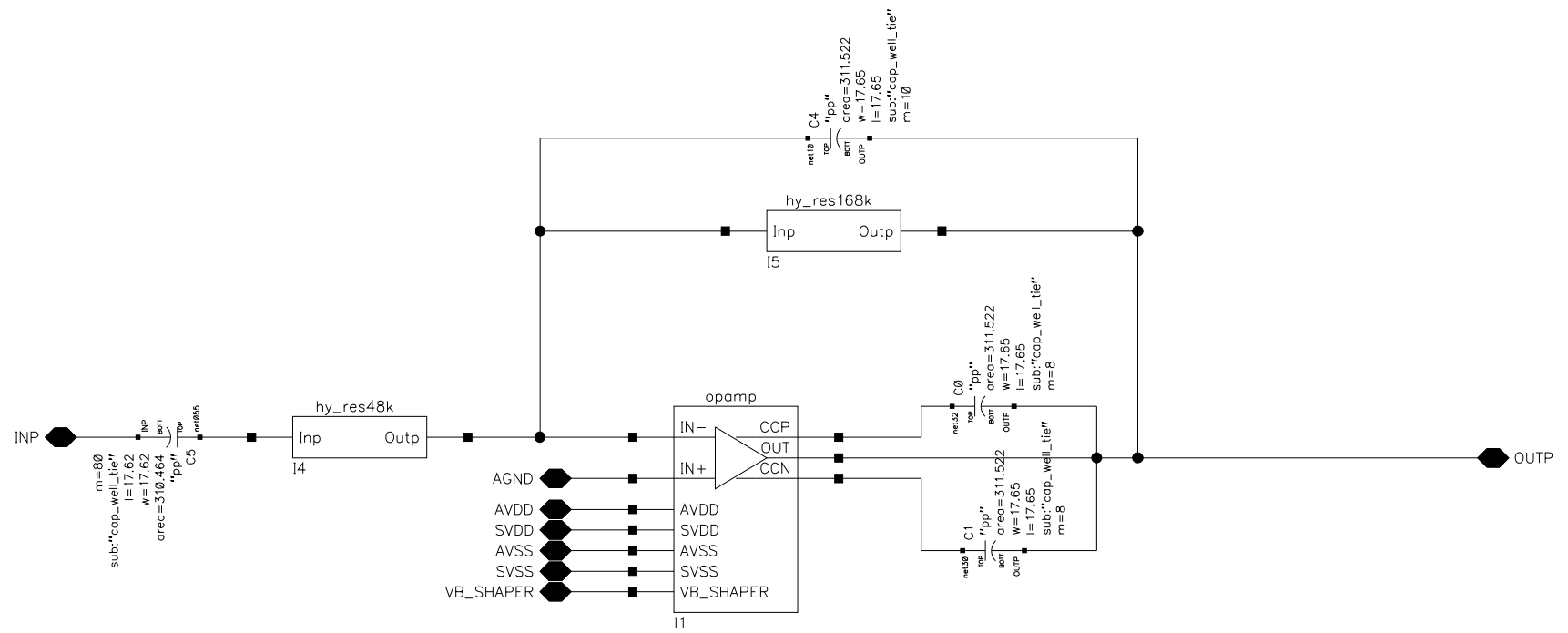
UPDATED	full_bias			
Jul 10 12:22:24 2007				
DRAWN				
CHECKED				
CHECKED	SIZE	CAGE NO.	DWG NO.	REV
ISSUED	A			
	SCALE			SHEET 1 OF 1

REVISIONS				
ZONE	REV	DESCRIPTION	DATE	APPROVED



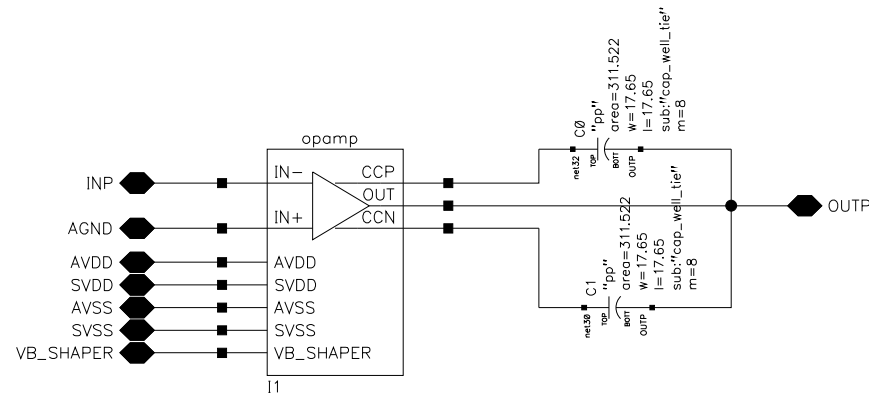
UPDATED	full_tvc		
May 9 16:32:03 2007			
DRAWN			
CHECKED			
CHECKED	SIZE A	CAGE NO.	REV
ISSUED	SCALE	SHEET 1 OF 1	

REVISIONS				
ZONE	REV	DESCRIPTION	DATE	APPROVED



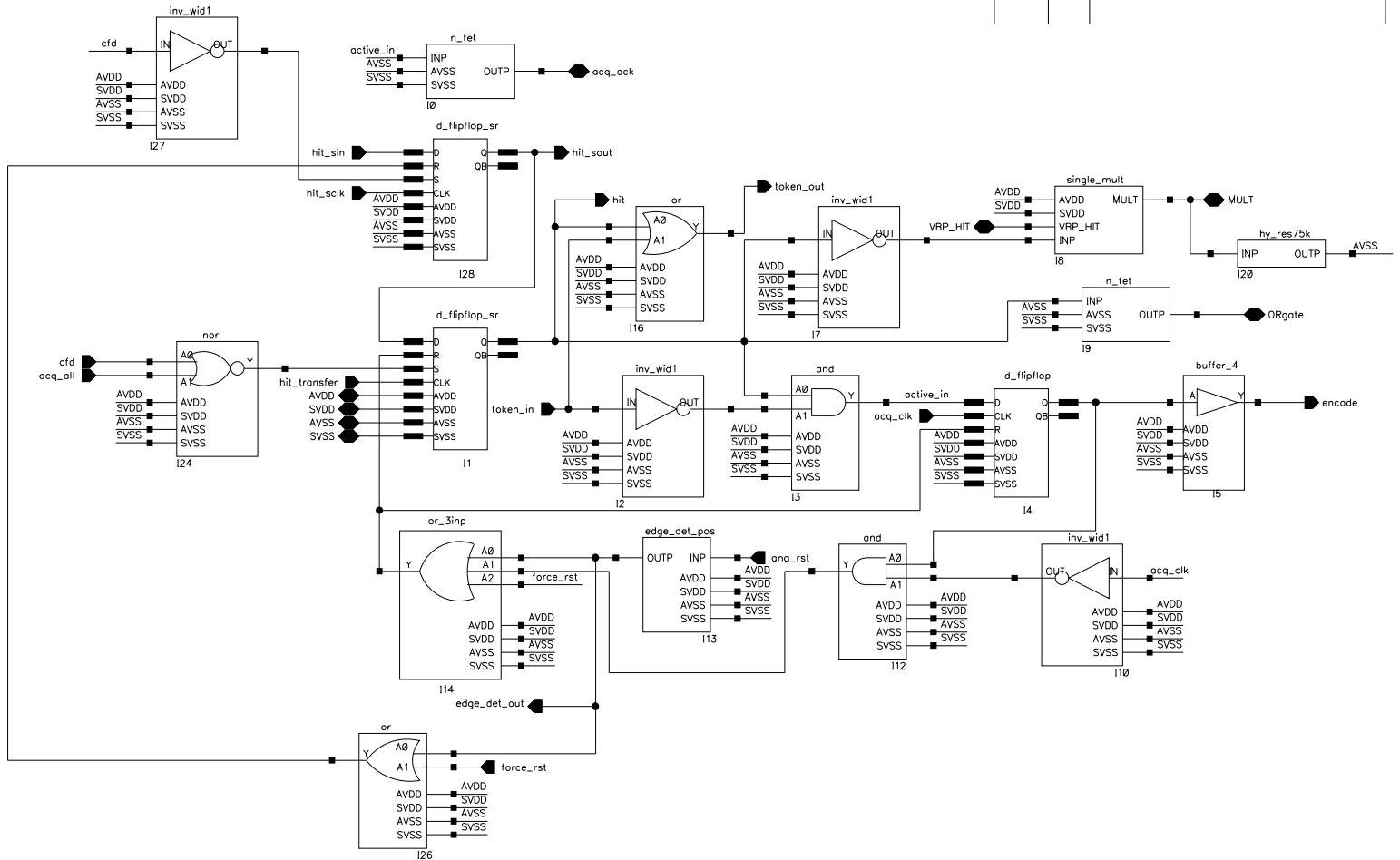
UPDATED	gain_amp			
Jul 24 16:19:55 2003				
DRAWN				
CHECKED				
CHECKED	SIZE	CAGE NO.	DWG NO.	REV
ISSUED	A			
	SCALE			SHEET 1 OF 1

REVISIONS				
ZONE	REV	DESCRIPTION	DATE	APPROVED



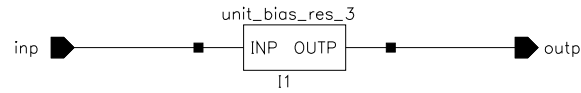
UPDATED	GainAmp_Shaper			
Jul 24 13:54:40 2003				
DRAWN				
CHECKED				
CHECKED	SIZE	CAGE NO.	DWG NO.	REV
ISSUED	A			
	SCALE			SHEET 1 OF 1

REVISIONS				
ZONE	REV	DESCRIPTION	DATE	APPROVED



UPDATED Jul 10 16:18:52 2007	hit_logic		
DRAWN			
CHECKED			
CHECKED	SIZE B	CAGE NO.	DWG NO.
ISSUED	SCALE	SHEET 1 OF 1	

REVISIONS				
ZONE	REV	DESCRIPTION	DATE	APPROVED



UPDATED	Sep 12 15:34:25 2006			hy_res0_59k	
DRAWN					
CHECKED					
CHECKED	SIZE	CAGE NO.	DWG NO.	REV	
ISSUED	A				
	SCALE			SHEET	1 OF 1

4

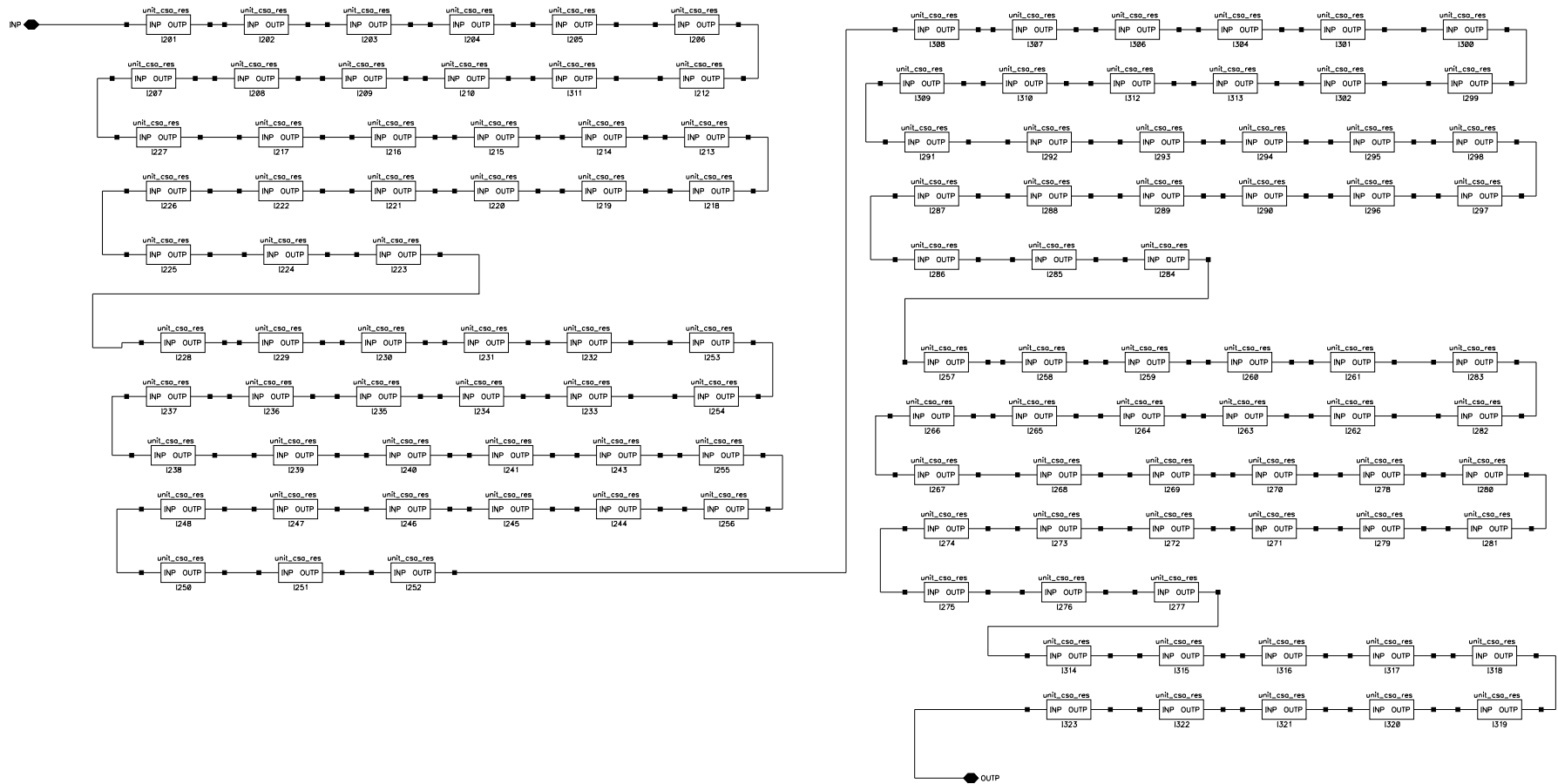
3

2

1

REVISIONS				
ZONE	REV	DESCRIPTION	DATE	APPROVED

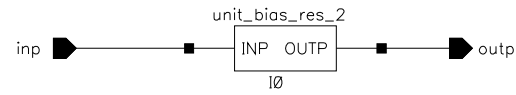
Each resistor has a l=111.3u and w=1u.



UPDATED Aug 30 12:44:26 2006	HyRes11.94Meg		
DRAWN			
CHECKED			
CHECKED	SIZE C	CAGE NO.	DWG NO.
ISSUED	SCALE	SHEET	1 OF 1

REV 1 DWG NO. CAGE NO.

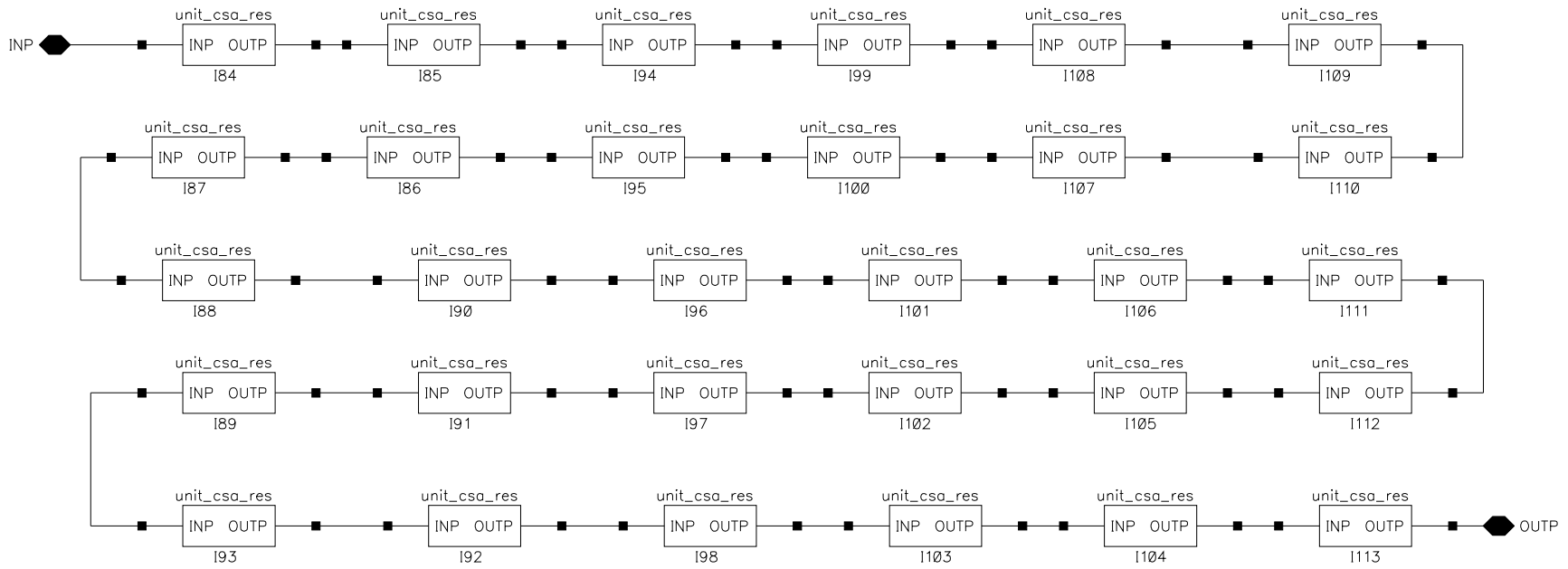
REVISIONS				
ZONE	REV	DESCRIPTION	DATE	APPROVED



UPDATED	hy_res17k			
Jun 20 16:24:23 2005				
DRAWN				
CHECKED				
CHECKED	SIZE	CAGE NO.	DWG NO.	REV
ISSUED	A			
	SCALE			SHEET 1 OF 1

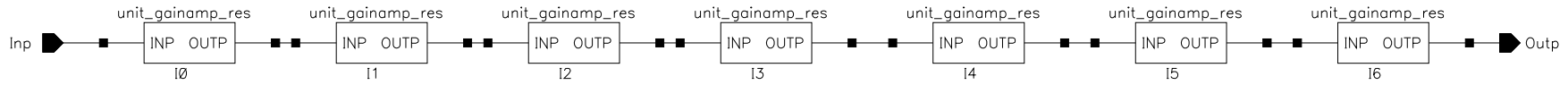
REVISIONS				
ZONE	REV	DESCRIPTION	DATE	APPROVED

Each resistor has a l=111.3u and w=1.1u.



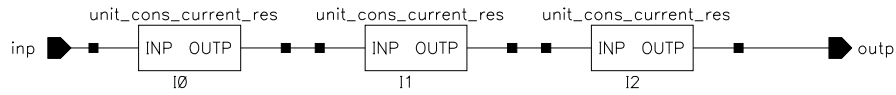
UPDATED	HyRes3.04Meg		
Aug 30 12:51:44 2006			
DRAWN			
CHECKED			
CHECKED	SIZE	CAGE NO.	DWG NO.
ISSUED	A		
	SCALE		SHEET OF

REVISIONS				
ZONE	REV	DESCRIPTION	DATE	APPROVED



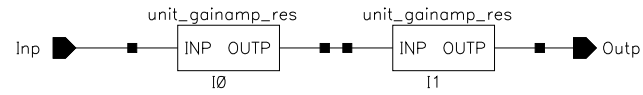
UPDATED	hy_res384k		
Jun 20 15:38:55 2005			
DRAWN			
CHECKED			
CHECKED	SIZE	CAGE NO.	DWG NO.
ISSUED	A		
	SCALE		SHEET 1 OF 1

REVISIONS				
ZONE	REV	DESCRIPTION	DATE	APPROVED



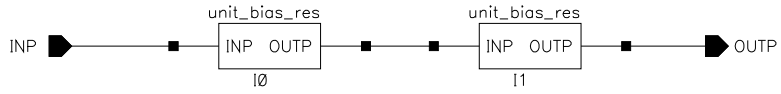
UPDATED	hy_res38k		
Jun 20 16:14:46 2005			
DRAWN			
CHECKED			
CHECKED	SIZE	CAGE NO.	DWG NO.
ISSUED	A		
	SCALE		SHEET 1 OF 1

REVISIONS				
ZONE	REV	DESCRIPTION	DATE	APPROVED



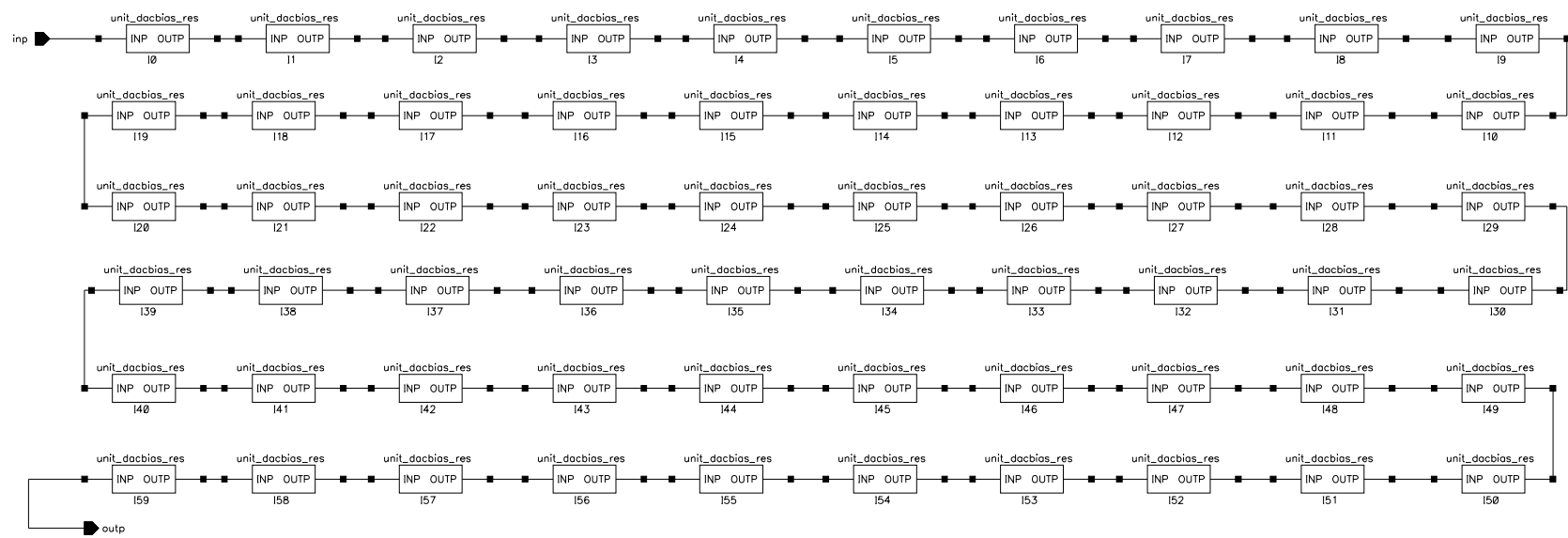
UPDATED	hy_res48k		
Jun 20 15:37:03 2005			
DRAWN			
CHECKED			
CHECKED	SIZE	CAGE NO.	DWG NO.
ISSUED	A		
	SCALE		SHEET 1 OF 1

REVISIONS				
ZONE	REV	DESCRIPTION	DATE	APPROVED



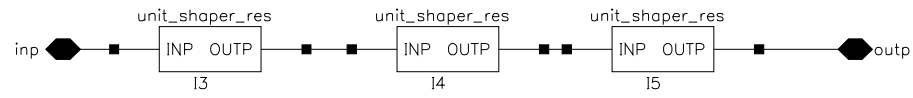
UPDATED	Jun 20 16:19:01 2005			hy_res5k		
DRAWN						
CHECKED						
CHECKED	SIZE	CAGE NO.	DWG NO.			
ISSUED	SCALE			SHEET	1 OF 1	

REVISIONS				
ZONE	REV	DESCRIPTION	DATE	APPROVED



UPDATED	Jun 20 16:10:49 2005				hy_res60k				
DRAWN									
CHECKED									
CHECKED	SIZE	CAGE NO.	DWG NO.	REV					
ISSUED	B								
	SCALE				SHEET	1 OF 1			

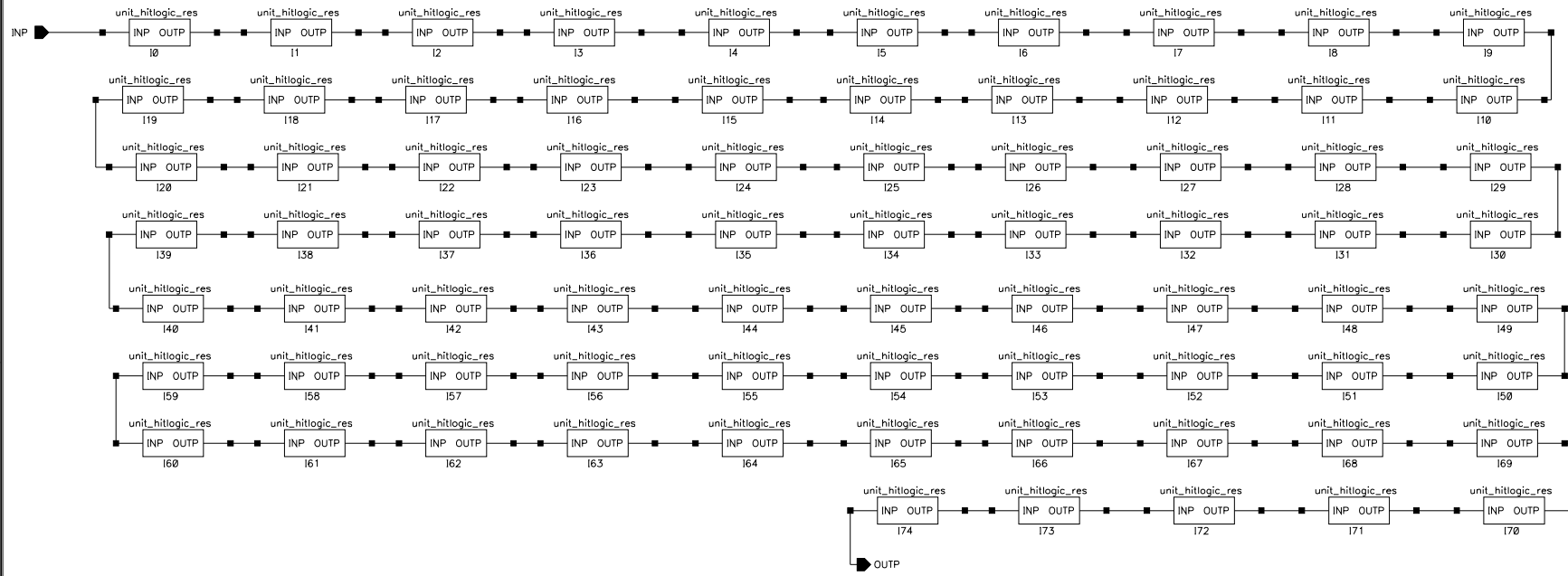
REVISIONS				
ZONE	REV	DESCRIPTION	DATE	APPROVED



UPDATED	Jun 23 15:01:35 2005			hy_res60k_shaper		
DRAWN						
CHECKED						
CHECKED	SIZE A	CAGE NO.	DWG NO.	REV		
ISSUED	SCALE				SHEET	1 OF 1

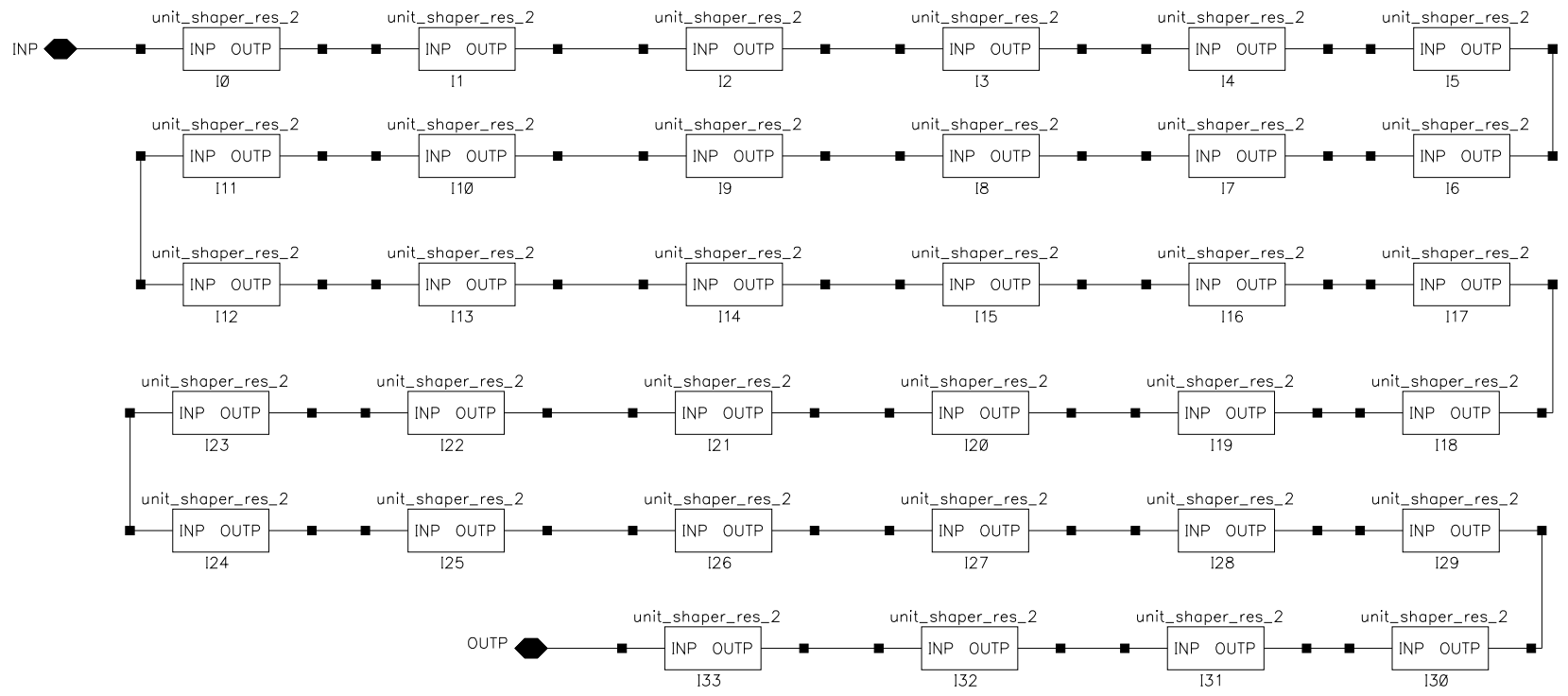
CAGE NO. DWG NO. SH 1 REV

REVISIONS				
ZONE	REV	DESCRIPTION	DATE	APPROVED



UPDATED Jun 30 15:22:14 2005	HyRes75k			
DRAWN				
CHECKED				
CHECKED	SIZE B	CAGE NO.	DWG NO.	REV
ISSUED	SCALE			SHEET 1 OF 1

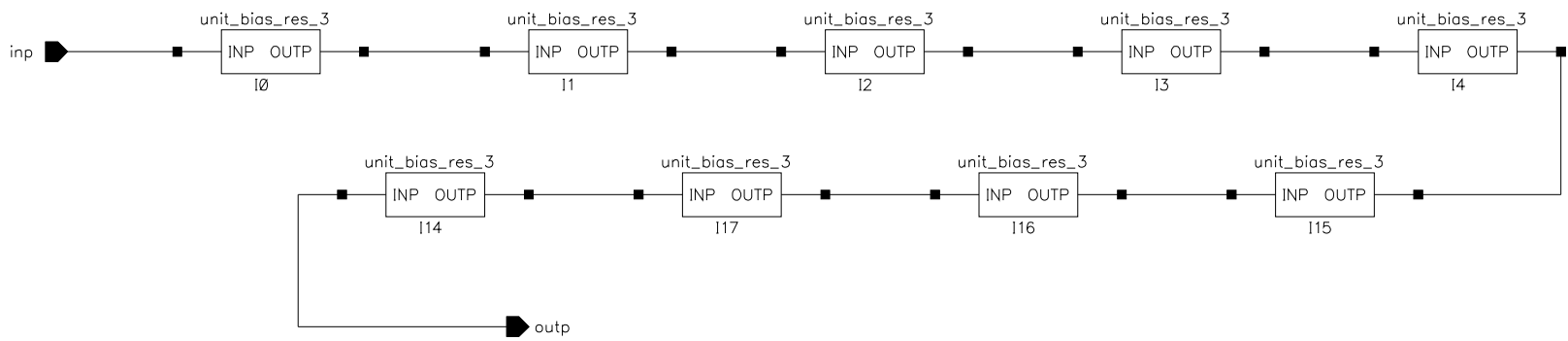
REVISIONS				
ZONE	REV	DESCRIPTION	DATE	APPROVED



Each resistor has  $l=39.6\mu$  and  $w=1.5\mu$

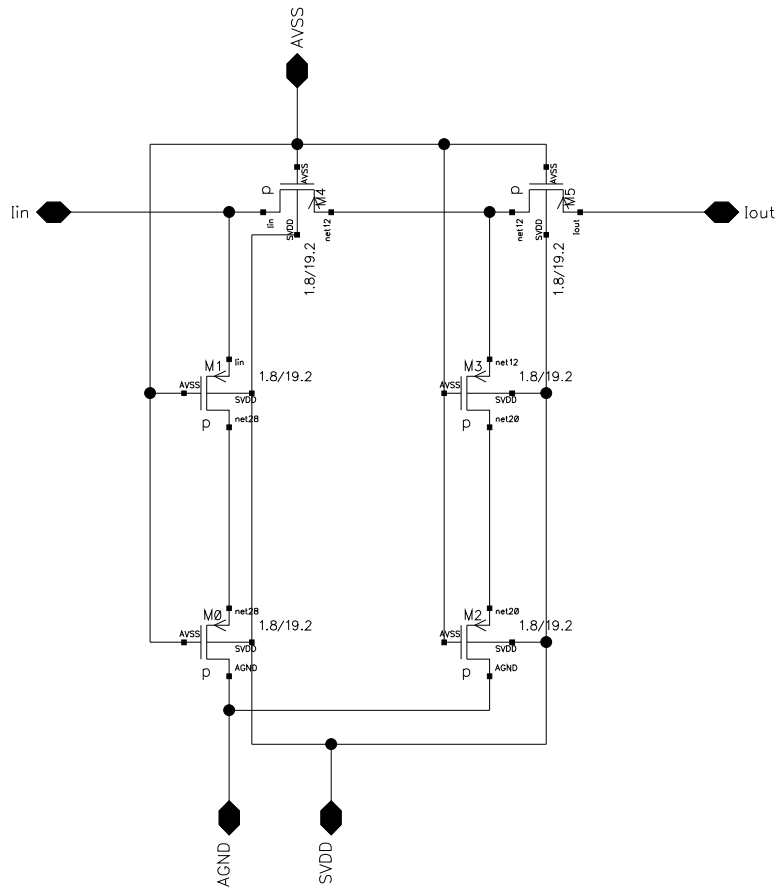
UPDATED Jun 23 15:00:39 2005	hy_res_925k		
DRAWN			
CHECKED			
CHECKED	SIZE A	CAGE NO.	DWG NO.
ISSUED	SCALE	SHEET 1 OF 1	

REVISIONS				
ZONE	REV	DESCRIPTION	DATE	APPROVED



UPDATED	hy_res9xØ_59k		
Aug 30 09:13:02 2006			
DRAWN			
CHECKED			
CHECKED	SIZE A	CAGE NO.	DWG NO.
ISSUED	SCALE	SHEET 1 OF 1	

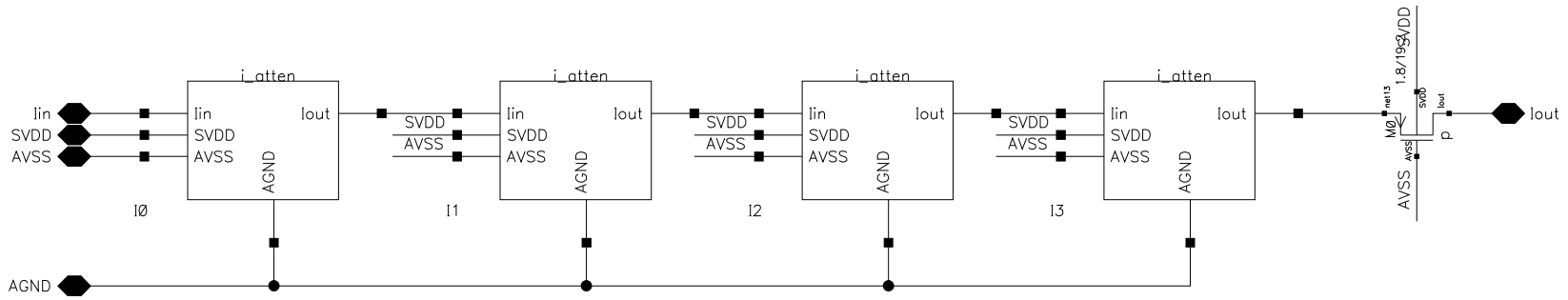
REVISIONS				
ZONE	REV	DESCRIPTION	DATE	APPROVED



UPDATED	Aug 5 12:51:31 2002		
DRAWN			
CHECKED			
CHECKED			
ISSUED			

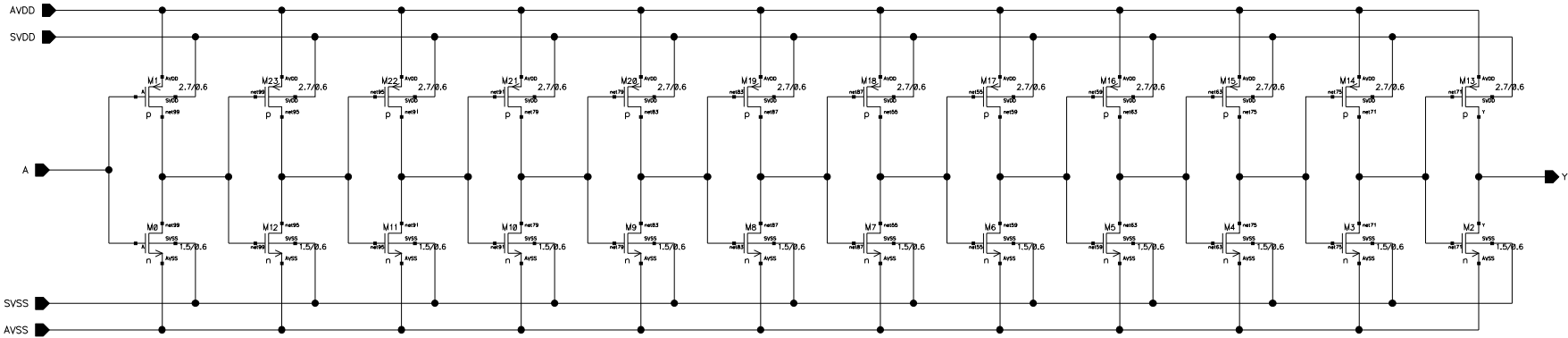
i_atten			
SIZE	CAGE NO.	DWG NO.	REV
A			
SCALE			SHEET 1 OF 1

REVISIONS				
ZONE	REV	DESCRIPTION	DATE	APPROVED



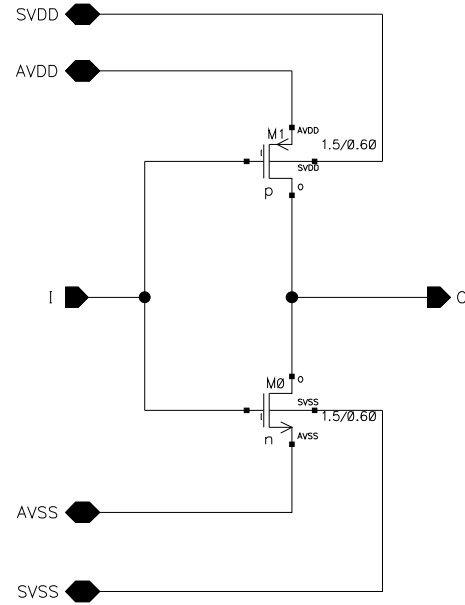
UPDATED	i_div_64		
Aug 5 12:51:35 2002			
DRAWN			
CHECKED			
CHECKED	SIZE	CAGE NO.	DWG NO.
ISSUED	A		
	SCALE		SHEET 1 OF 1

REVISIONS				
ZONE	REV	DESCRIPTION	DATE	APPROVED



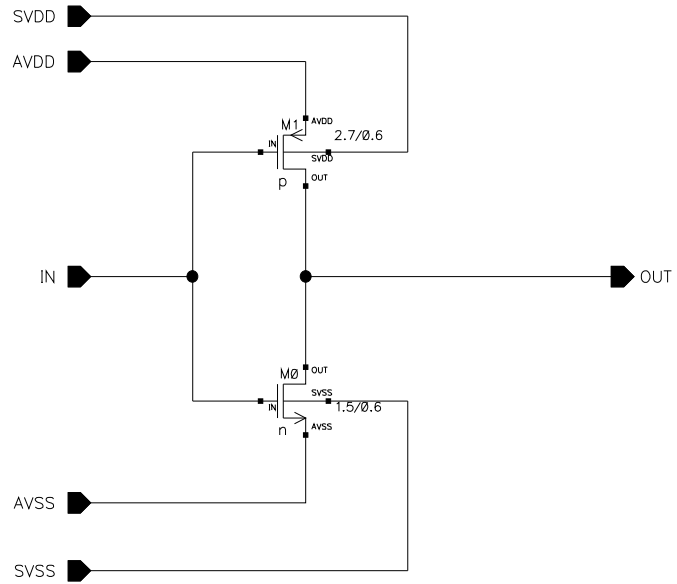
UPDATED Aug 5 12:48:11 2002	inv_12		
DRAWN			
CHECKED			
CHECKED	SIZE B	CAGE NO.	DWG NO.
ISSUED	SCALE	SHEET 1 OF 1	

REVISIONS				
ZONE	REV	DESCRIPTION	DATE	APPROVED



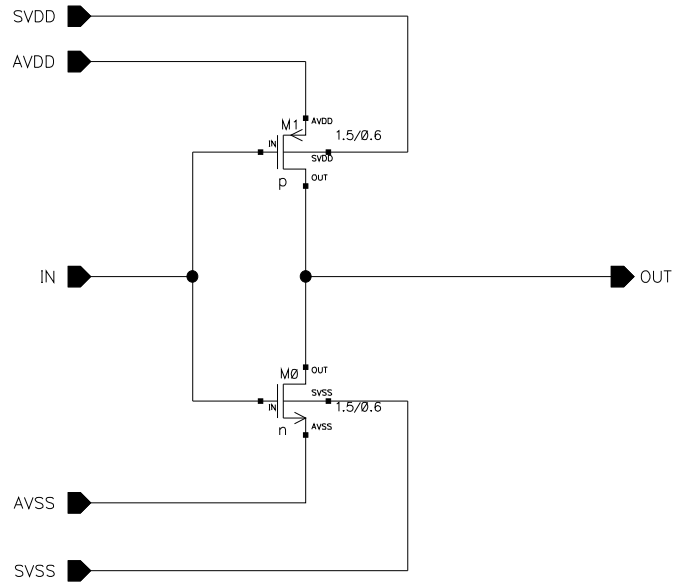
UPDATED	inv_min			
Aug 19 14:41:49 2002				
DRAWN				
CHECKED				
CHECKED	SIZE A	CAGE NO.	DWG NO.	REV
ISSUED	SCALE			SHEET 1 OF 1

REVISIONS				
ZONE	REV	DESCRIPTION	DATE	APPROVED



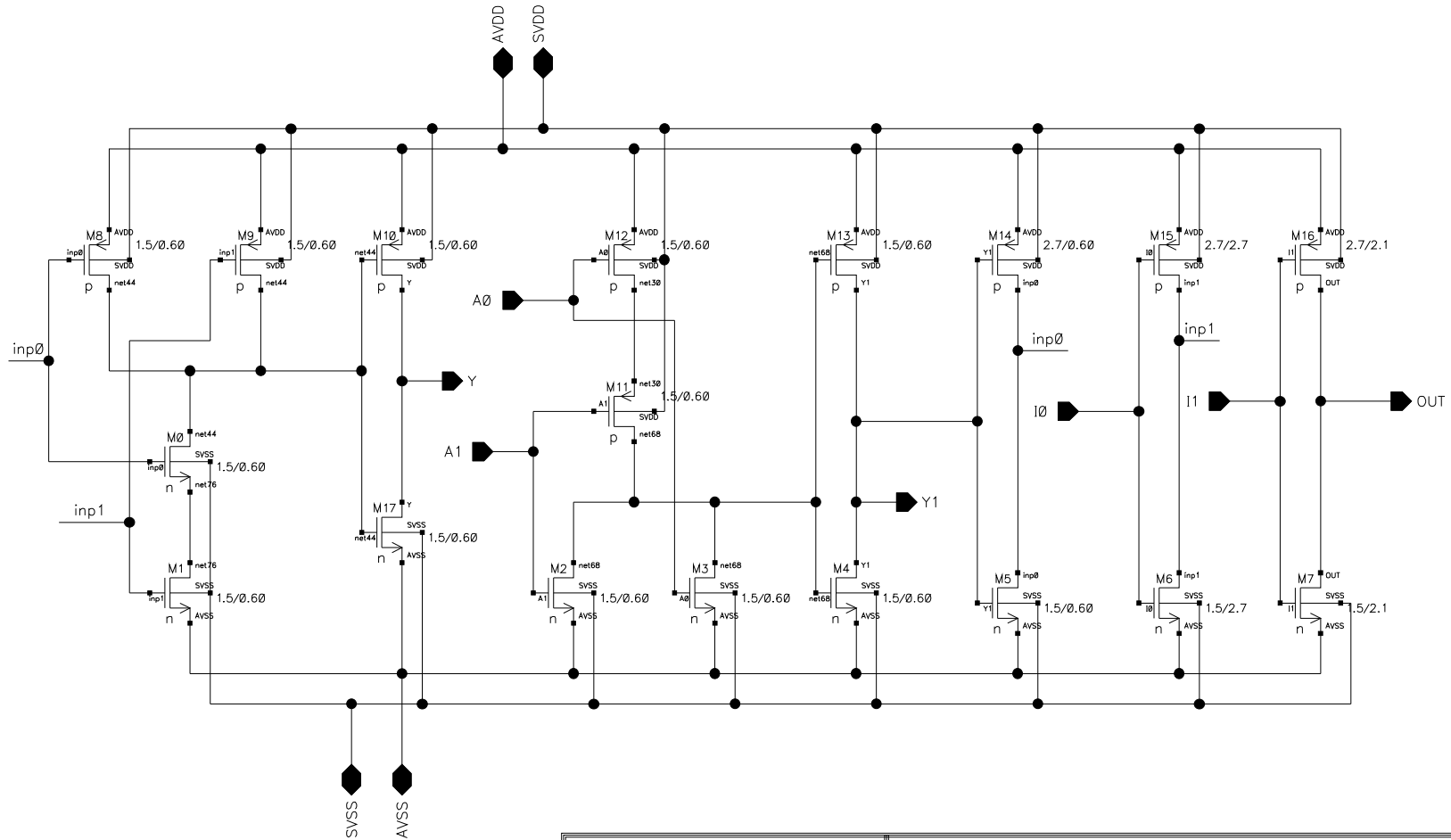
UPDATED	inv_wid1			
Sep 19 18:46:05 2002				
DRAWN				
CHECKED				
CHECKED	SIZE A	CAGE NO.	DWG NO.	REV
ISSUED	SCALE			SHEET 1 OF 1

REVISIONS				
ZONE	REV	DESCRIPTION	DATE	APPROVED



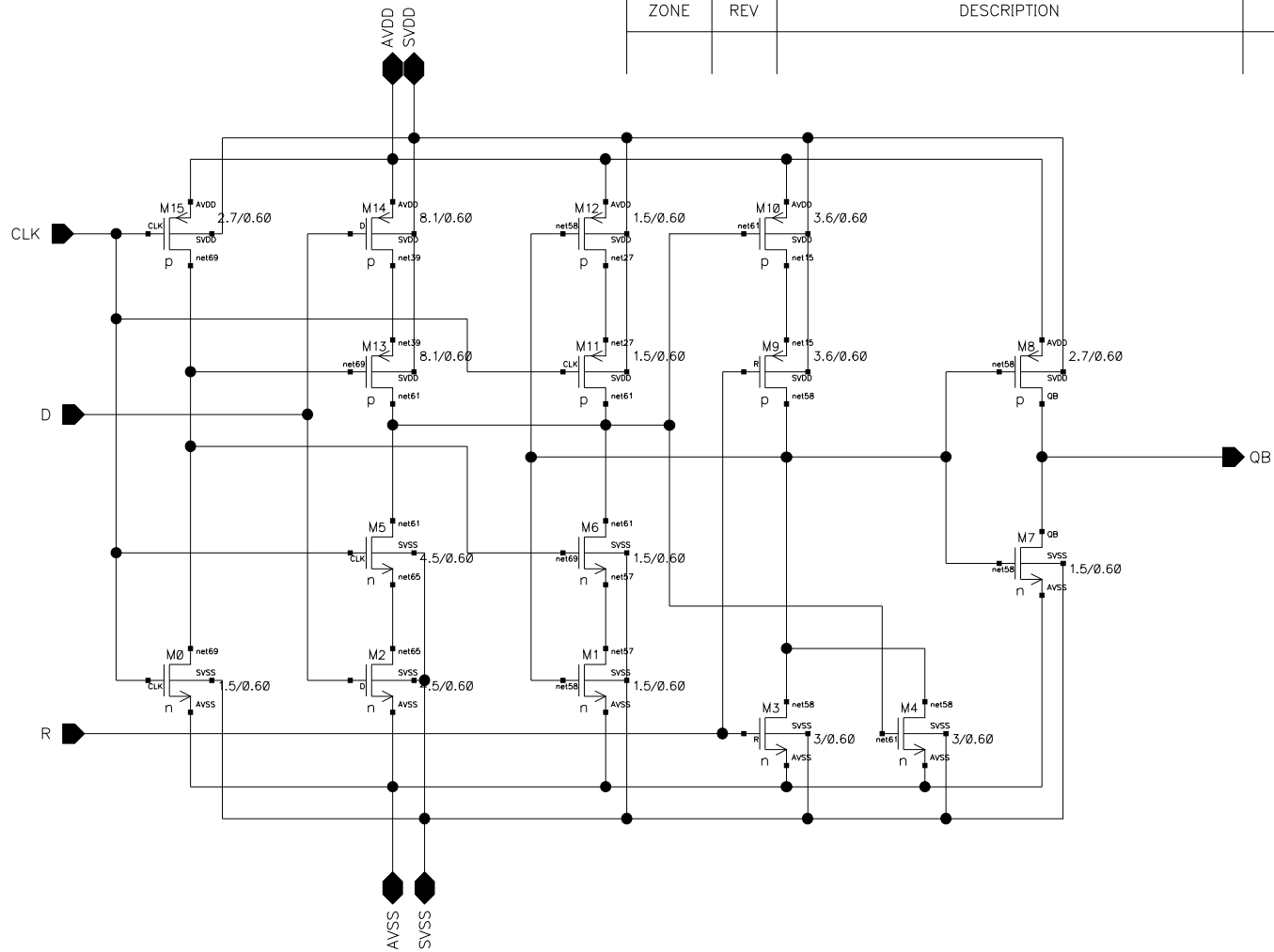
UPDATED	inverter			
Jul 24 16:19:28 2003				
DRAWN				
CHECKED				
CHECKED	SIZE	CAGE NO.	DWG NO.	REV
ISSUED	A			
	SCALE			SHEET 1 OF 1

REVISIONS				
ZONE	REV	DESCRIPTION	DATE	APPROVED



UPDATED				
Aug 19 15:46:34 2002				
DRAWN				
CHECKED				
CHECKED	SIZE	CAGE NO.	DWG NO.	REV
ISSUED	A			
SCALE				SHEET 1 OF 1

REVISIONS				
ZONE	REV	DESCRIPTION	DATE	APPROVED

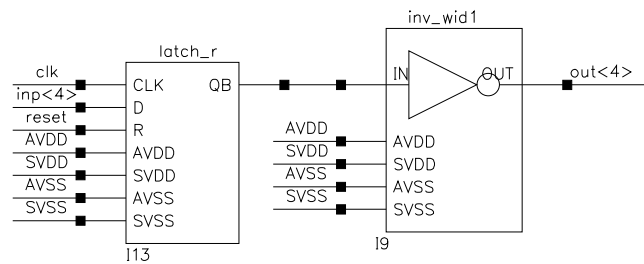
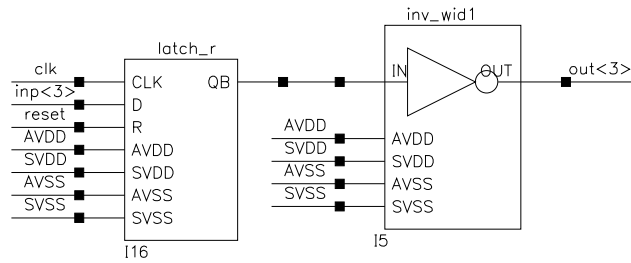
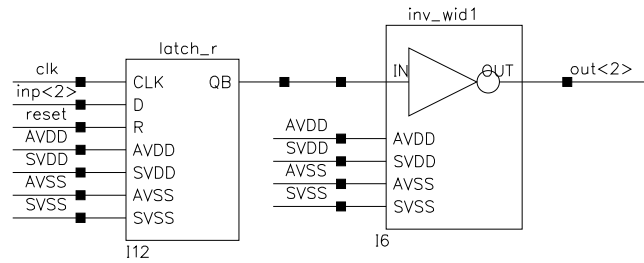
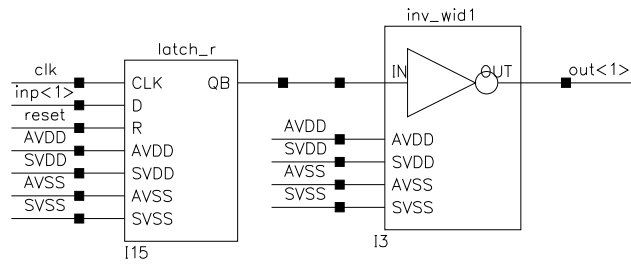
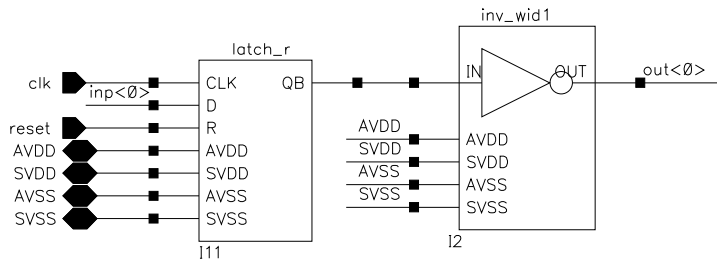


UPDATED	latch		
Aug 19 15:46:39 2002			
DRAWN			
CHECKED			
CHECKED	SIZE	CAGE NO.	DWG NO.
ISSUED	SCALE	SHEET 1 OF 1	

REVISIONS				
ZONE	REV	DESCRIPTION	DATE	APPROVED

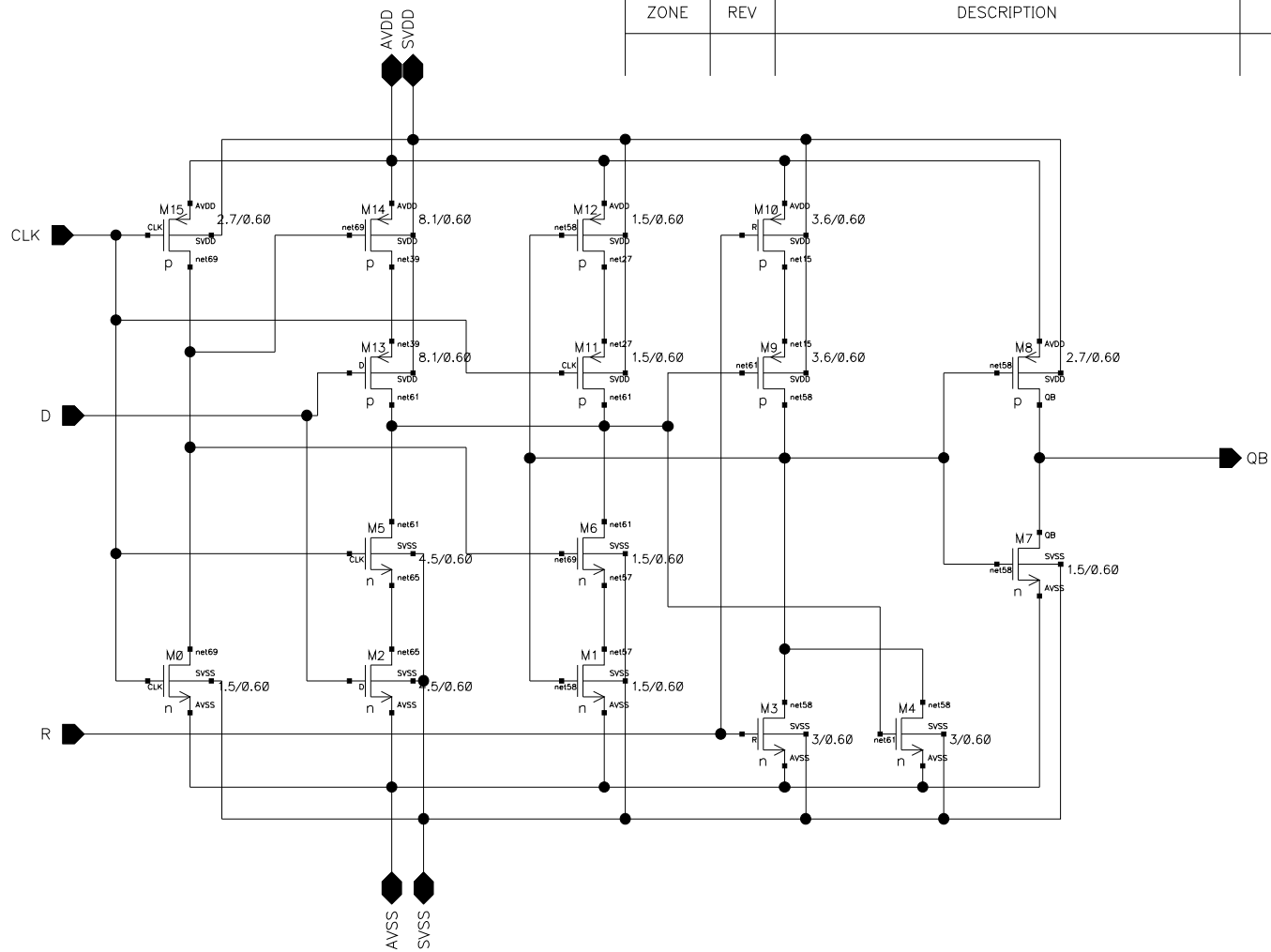
inp<4:0>

out<4:0>



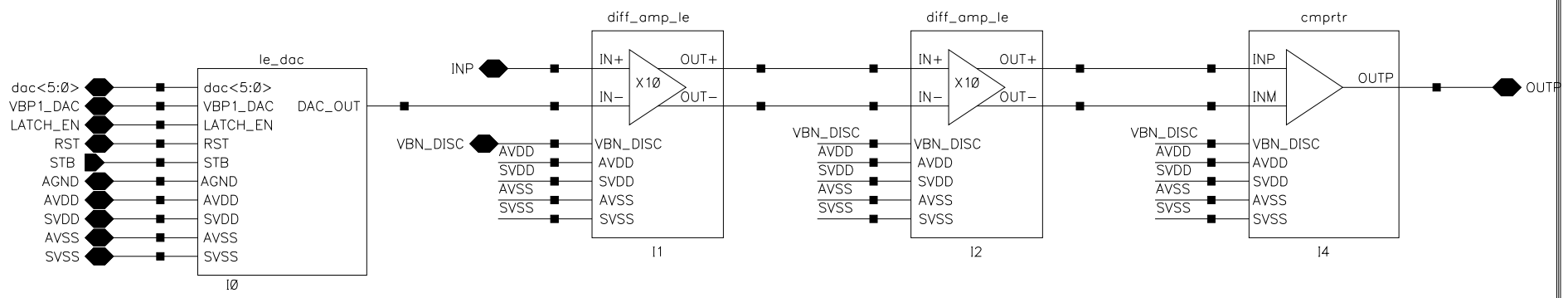
UPDATED	latch_5bit			
Jul 13 13:59:06 2003				
DRAWN				
CHECKED				
CHECKED	SIZE	CAGE NO.	DWG NO.	REV
ISSUED	A			
	SCALE			SHEET 1 OF 1

REVISIONS				
ZONE	REV	DESCRIPTION	DATE	APPROVED



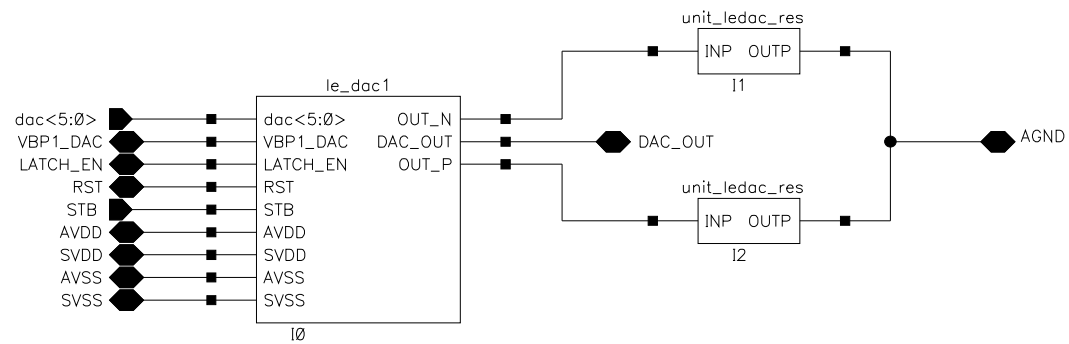
UPDATED	latch_r			
Sep 5 14:29:35 2002				
DRAWN				
CHECKED				
CHECKED	SIZE	CAGE NO.	DWG NO.	REV
ISSUED	A			
	SCALE			SHEET 1 OF 1

REVISIONS				
ZONE	REV	DESCRIPTION	DATE	APPROVED



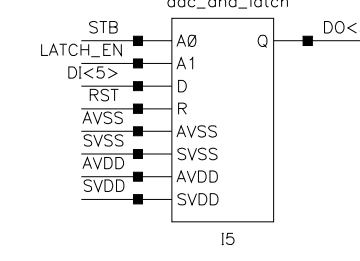
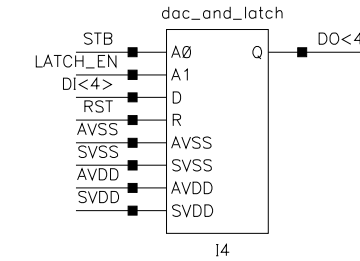
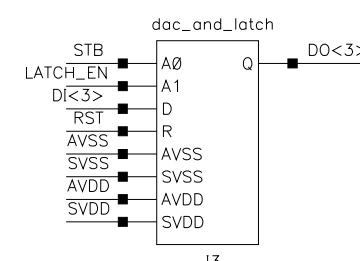
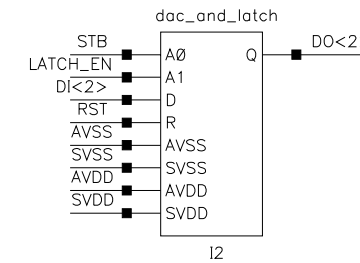
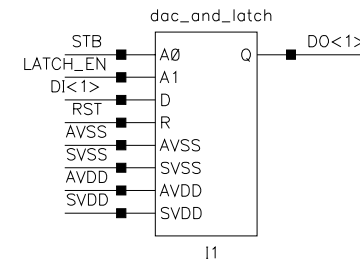
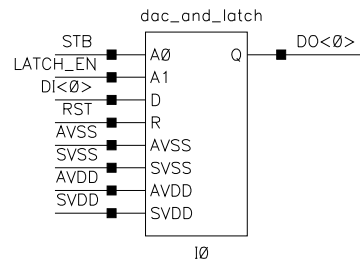
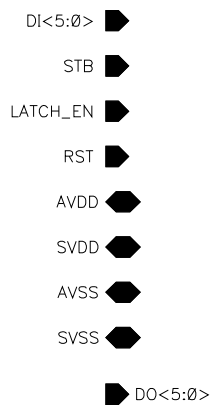
UPDATED	Jun 20 15:58:32 2005			le	
DRAWN					
CHECKED					
CHECKED	SIZE	CAGE NO.	DWG NO.		
ISSUED	SCALE			SHEET	1 OF 1

REVISIONS				
ZONE	REV	DESCRIPTION	DATE	APPROVED



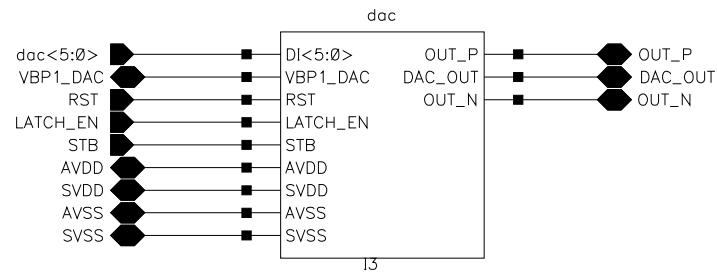
UPDATED	le_dac			
Aug 30 10:08:08 2006				
DRAWN				
CHECKED				
CHECKED	SIZE A	CAGE NO.	DWG NO.	REV
ISSUED	SCALE			SHEET 1 OF 1

REVISIONS				
ZONE	REV	DESCRIPTION	DATE	APPROVED



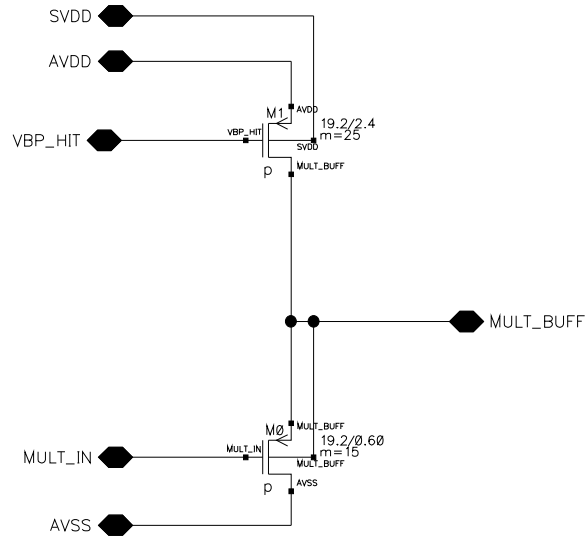
UPDATED	le_dac_reg		
Jul 13 13:55:51 2003			
DRAWN			
CHECKED			
CHECKED	SIZE	CAGE NO.	REV
ISSUED	SCALE	DWG NO.	
		SHEET 1 OF 1	

REVISIONS				
ZONE	REV	DESCRIPTION	DATE	APPROVED



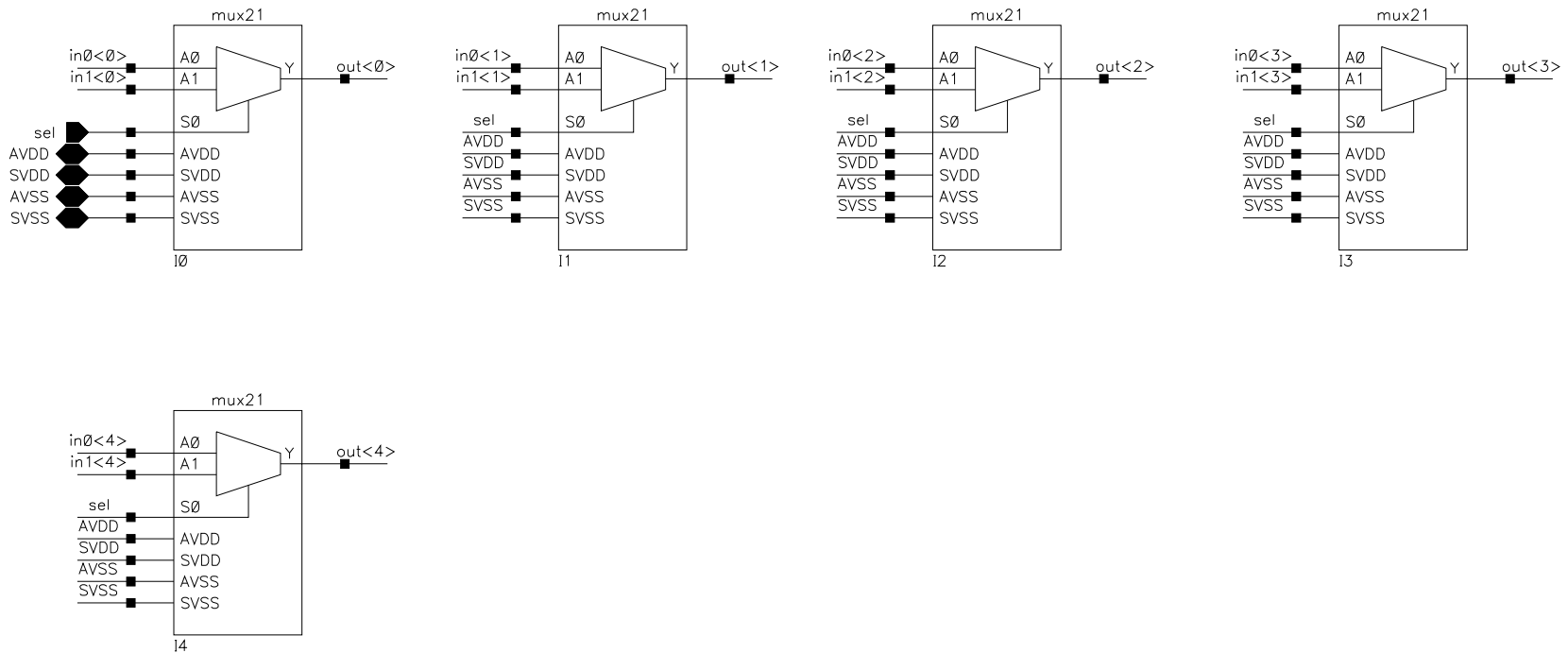
UPDATED	le_dac1			
Jul 24 16:21:22 2003				
DRAWN				
CHECKED				
CHECKED	SIZE	CAGE NO.	DWG NO.	REV
ISSUED	A			
	SCALE			SHEET 1 OF 1

REVISIONS				
ZONE	REV	DESCRIPTION	DATE	APPROVED



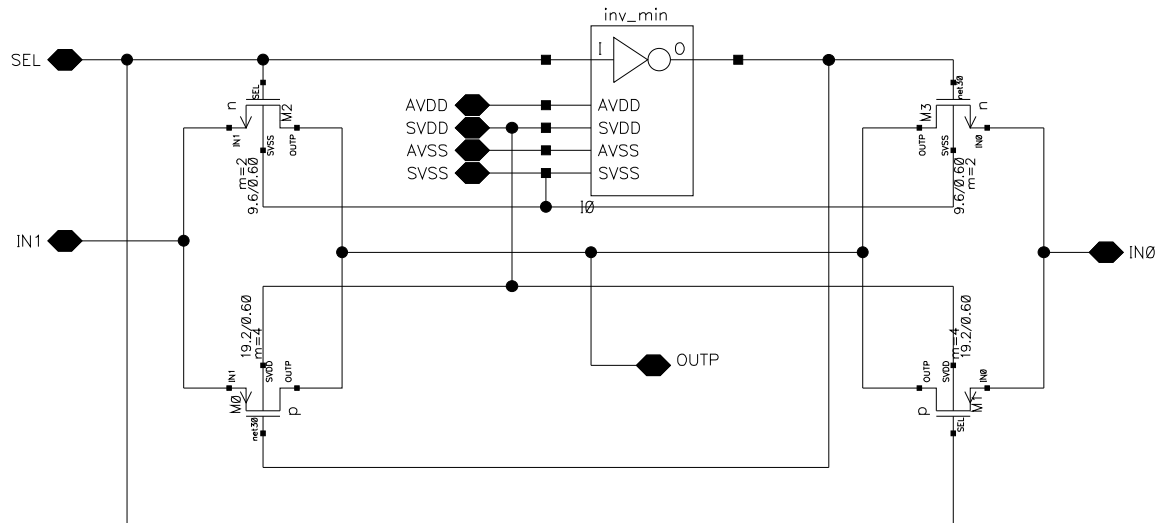
UPDATED	MULT_BUFF			
Sep 5 15:17:18 2002				
DRAWN				
CHECKED				
CHECKED	SIZE	CAGE NO.	DWG NO.	REV
ISSUED	A			
	SCALE			SHEET 1 OF 1

REVISIONS				
ZONE	REV	DESCRIPTION	DATE	APPROVED



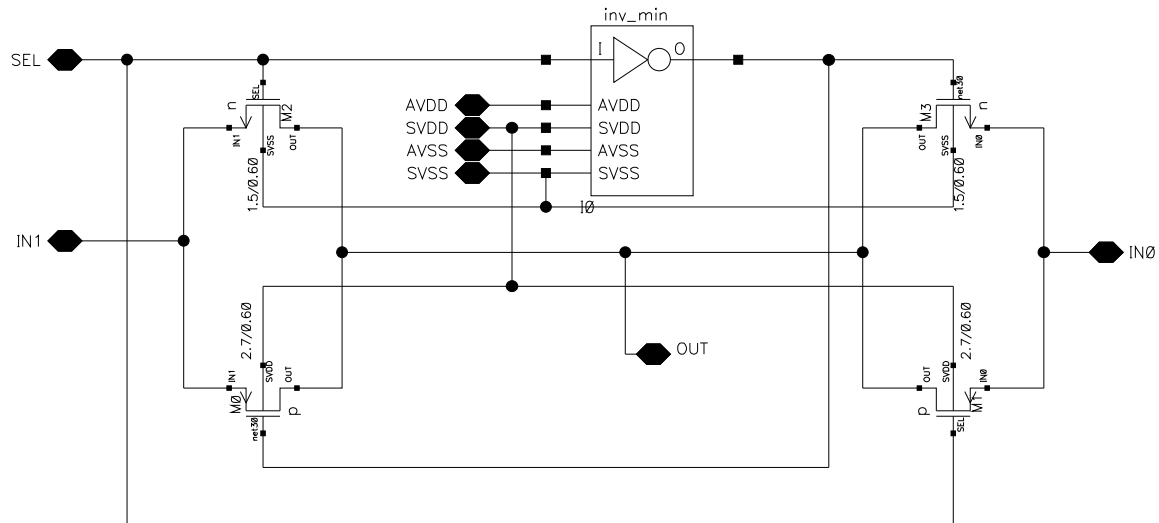
UPDATED	mux_5bit			
Sep 5 14:29:22 2002				
DRAWN				
CHECKED				
CHECKED	SIZE	CAGE NO.	DWG NO.	REV
ISSUED	A			
	SCALE			SHEET 1 OF 1

REVISIONS				
ZONE	REV	DESCRIPTION	DATE	APPROVED



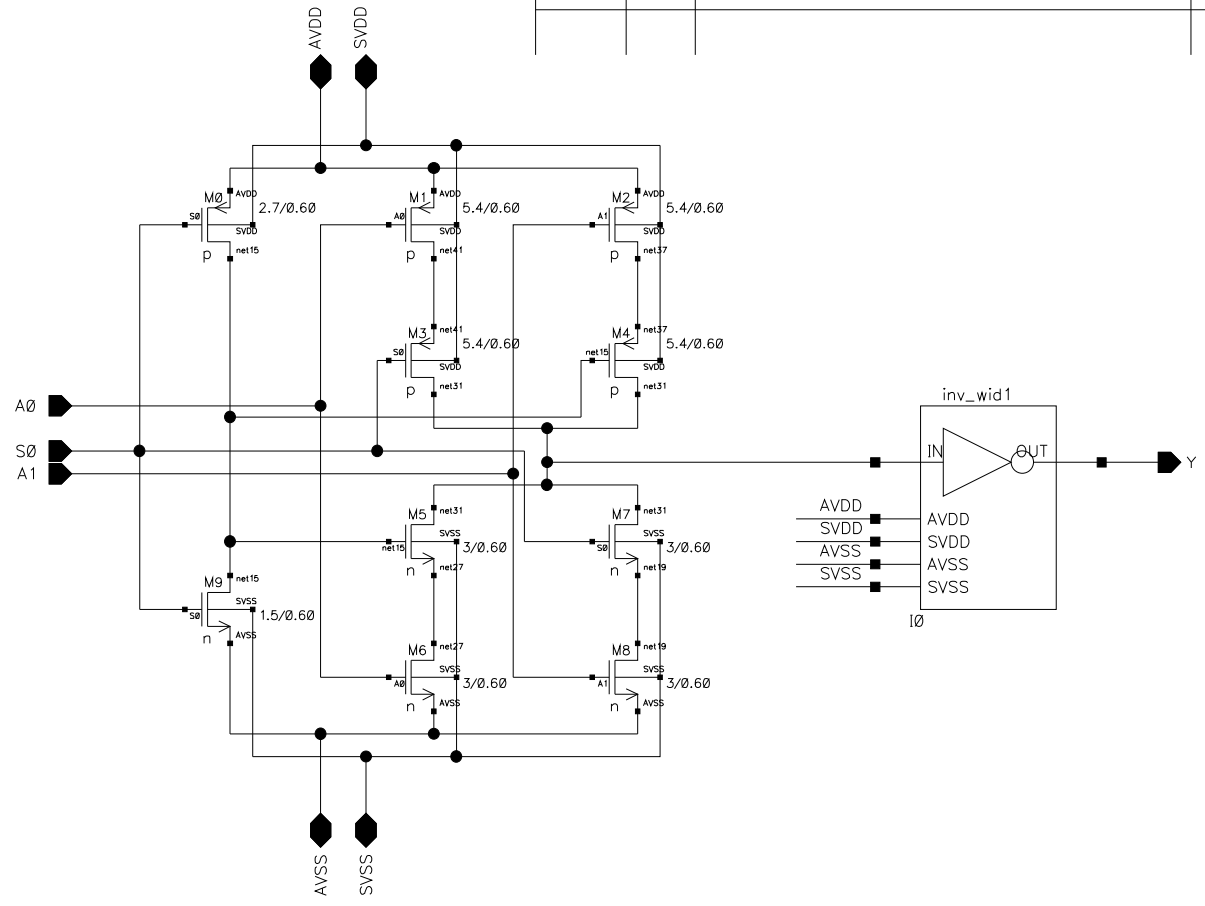
UPDATED	mux_big		
Jan 13 15:04:38 2003			
DRAWN			
CHECKED			
CHECKED	SIZE A	CAGE NO.	DWG NO.
ISSUED	SCALE	SHEET 1 OF 1	

REVISIONS				
ZONE	REV	DESCRIPTION	DATE	APPROVED



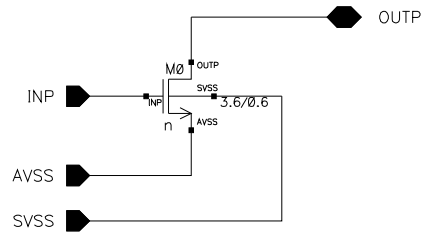
UPDATED	mux_min		
Aug 2 14:56:56 2002			
DRAWN			
CHECKED			
CHECKED	SIZE A	CAGE NO.	DWG NO.
ISSUED	SCALE	SHEET 1 OF 1	

REVISIONS				
ZONE	REV	DESCRIPTION	DATE	APPROVED



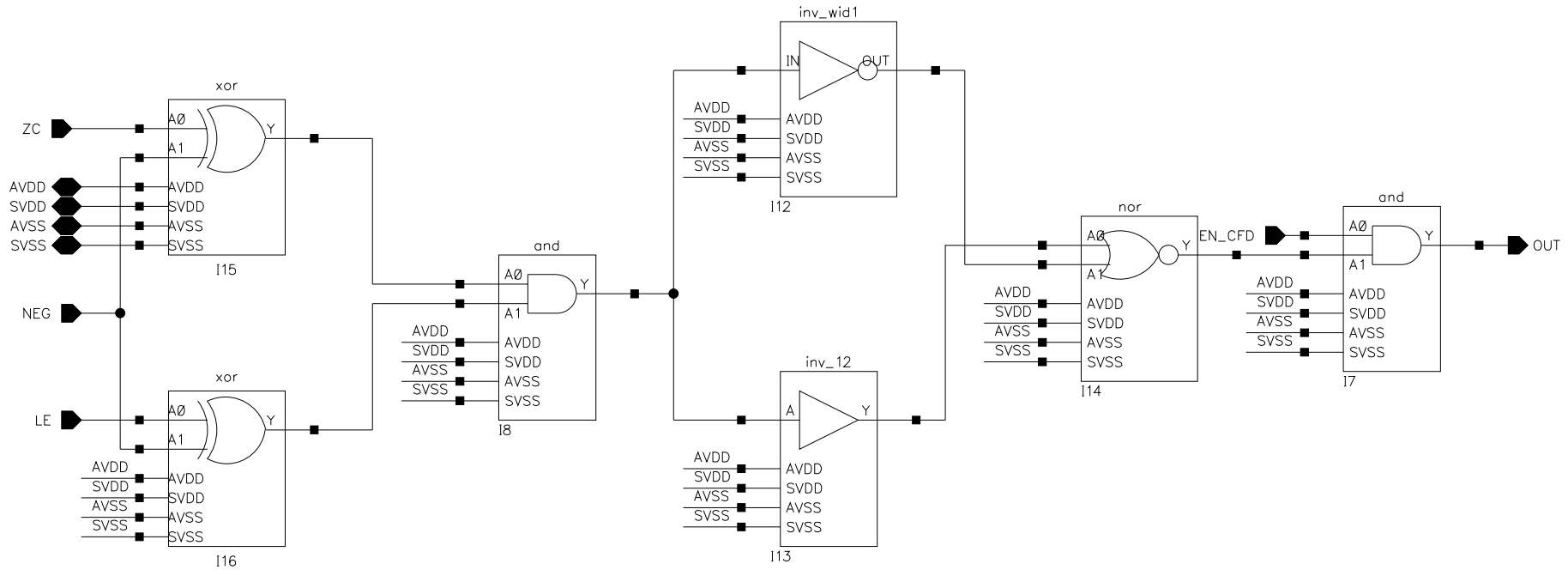
UPDATED	mux21			
Sep 5 14:29:20 2002				
DRAWN				
CHECKED				
CHECKED	SIZE A	CAGE NO.	DWG NO.	REV
ISSUED	SCALE	SHEET 1 OF 1		

REVISIONS				
ZONE	REV	DESCRIPTION	DATE	APPROVED



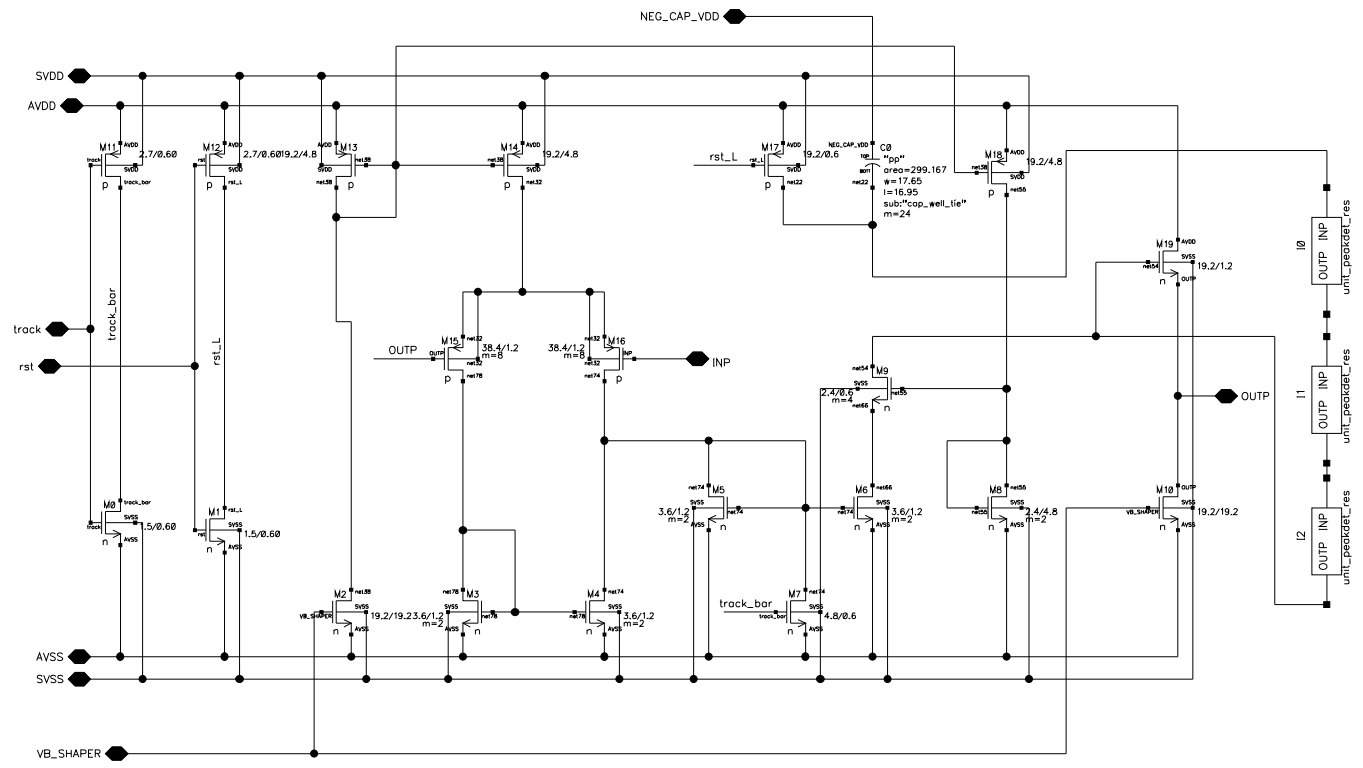
UPDATED	n_fet			
Jul 24 14:51:53 2003				
DRAWN				
CHECKED				
CHECKED	SIZE	CAGE NO.	DWG NO.	REV
ISSUED	A			
	SCALE		SHEET	1 OF 1

REVISIONS				
ZONE	REV	DESCRIPTION	DATE	APPROVED



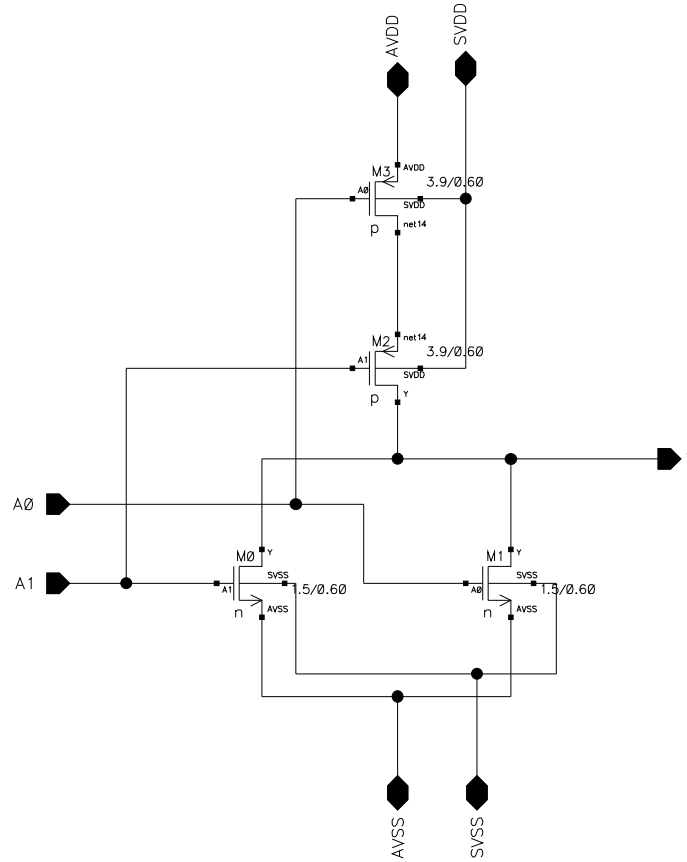
UPDATED	Jul 3 15:44:14 2003				narrow_pulse			
DRAWN								
CHECKED								
CHECKED	SIZE	CAGE NO.	DWG NO.			REV		
ISSUED	SCALE					SHEET 1 OF 1		

REVISIONS				
ZONE	REV	DESCRIPTION	DATE	APPROVED



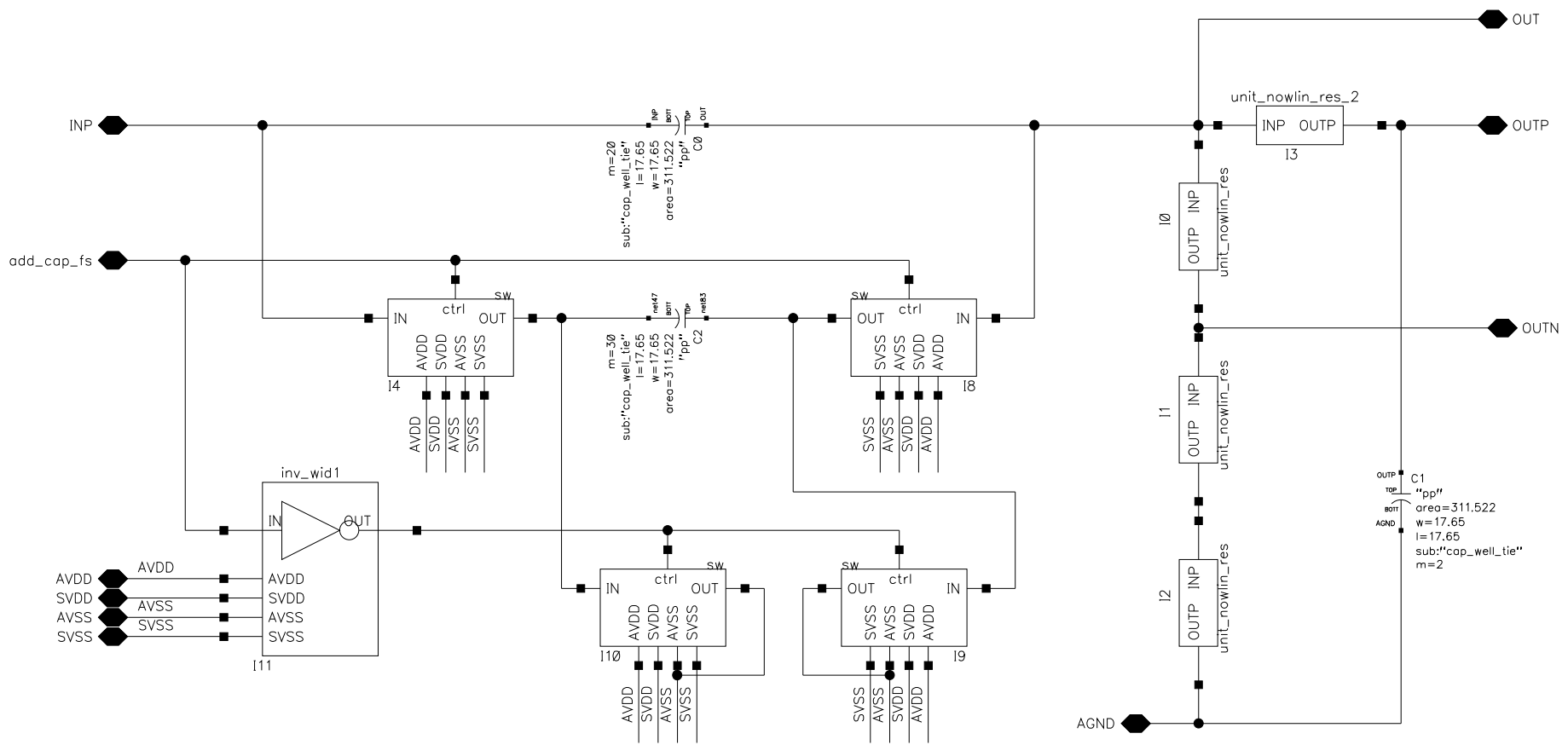
UPDATED	Jun 28 11:30:37 2007			
DRAWN	neg_pk_detect			
CHECKED				
CHECKED	SIZE	CAGE NO.	DWG NO.	REV
ISSUED	B			
	SCALE		SHEET	1 OF 1

REVISIONS				
ZONE	REV	DESCRIPTION	DATE	APPROVED



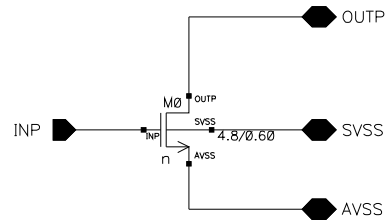
UPDATED	nor			
Jul 24 14:46:21 2003				
DRAWN				
CHECKED				
CHECKED	SIZE A	CAGE NO.	DWG NO.	REV
ISSUED	SCALE	SHEET 1 OF 1		

REVISIONS				
ZONE	REV	DESCRIPTION	DATE	APPROVED



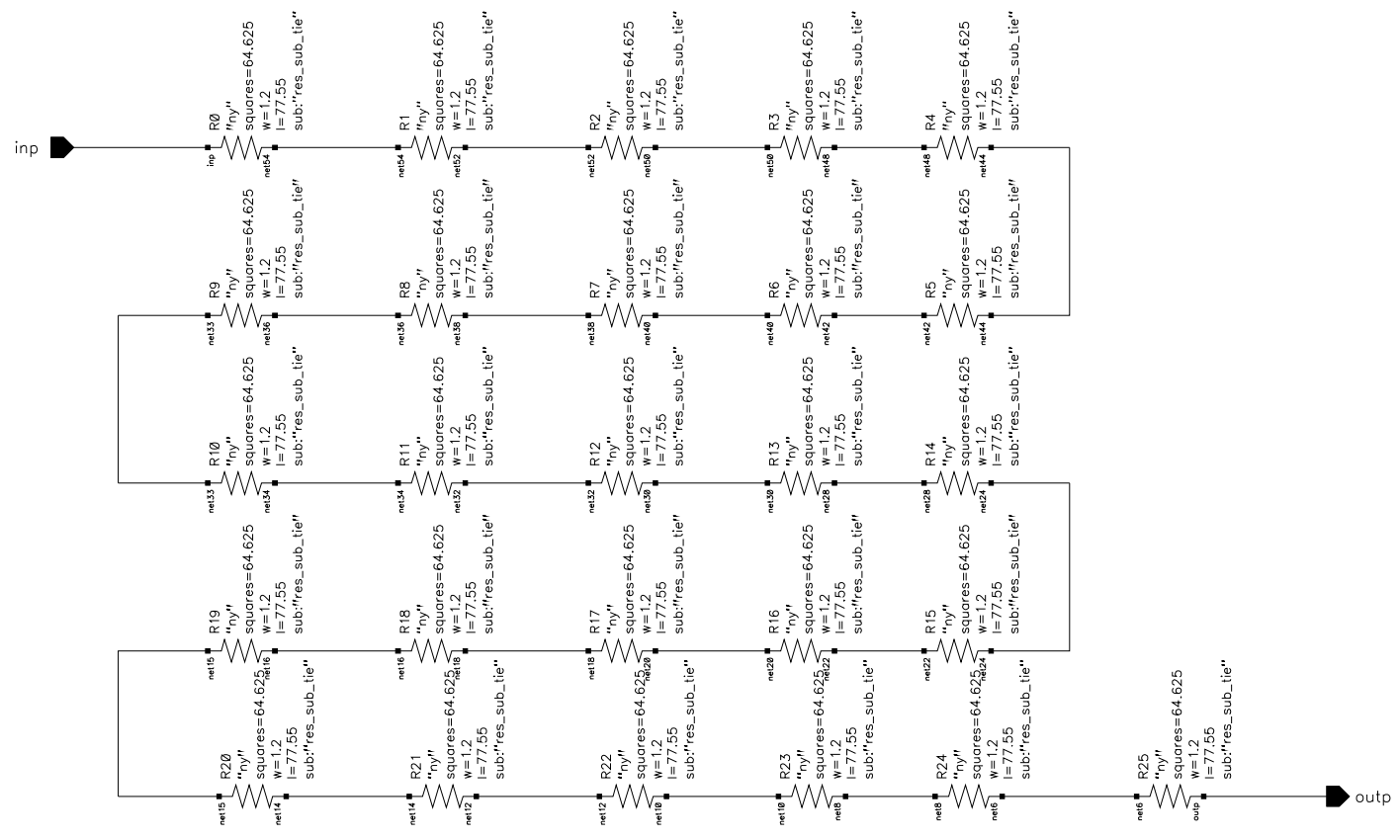
UPDATED	SIUE IC Design Lab		
Apr 9 18:13:02 2007	Nowlin		
DRAWN			
CHECKED			
CHECKED	SIZE A	CAGE NO.	REV A
ISSUED	DWG NO.		
	SCALE	SHEET 1 OF 1	

REVISIONS				
ZONE	REV	DESCRIPTION	DATE	APPROVED



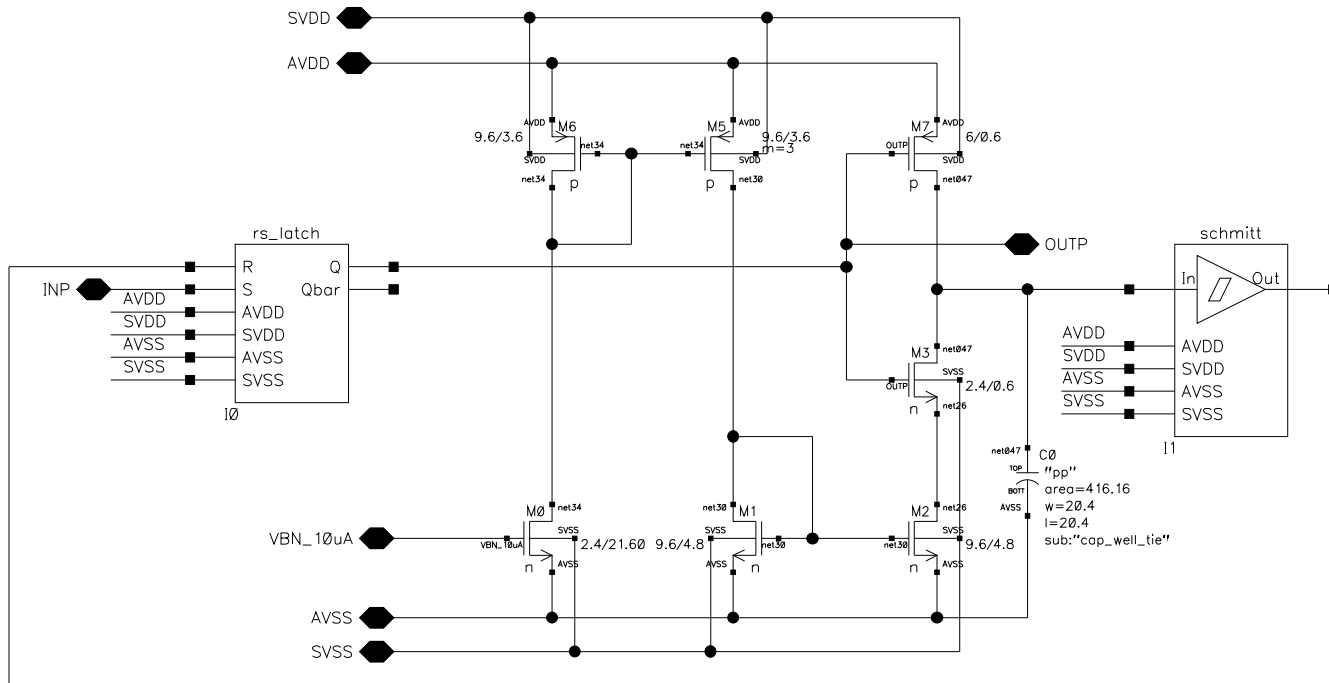
UPDATED	nsw		
Oct 16 14:33:10 2002			
DRAWN			
CHECKED			
CHECKED	SIZE A	CAGE NO.	DWG NO.
ISSUED	SCALE	SHEET 1 OF 1	

REVISIONS				
ZONE	REV	DESCRIPTION	DATE	APPROVED



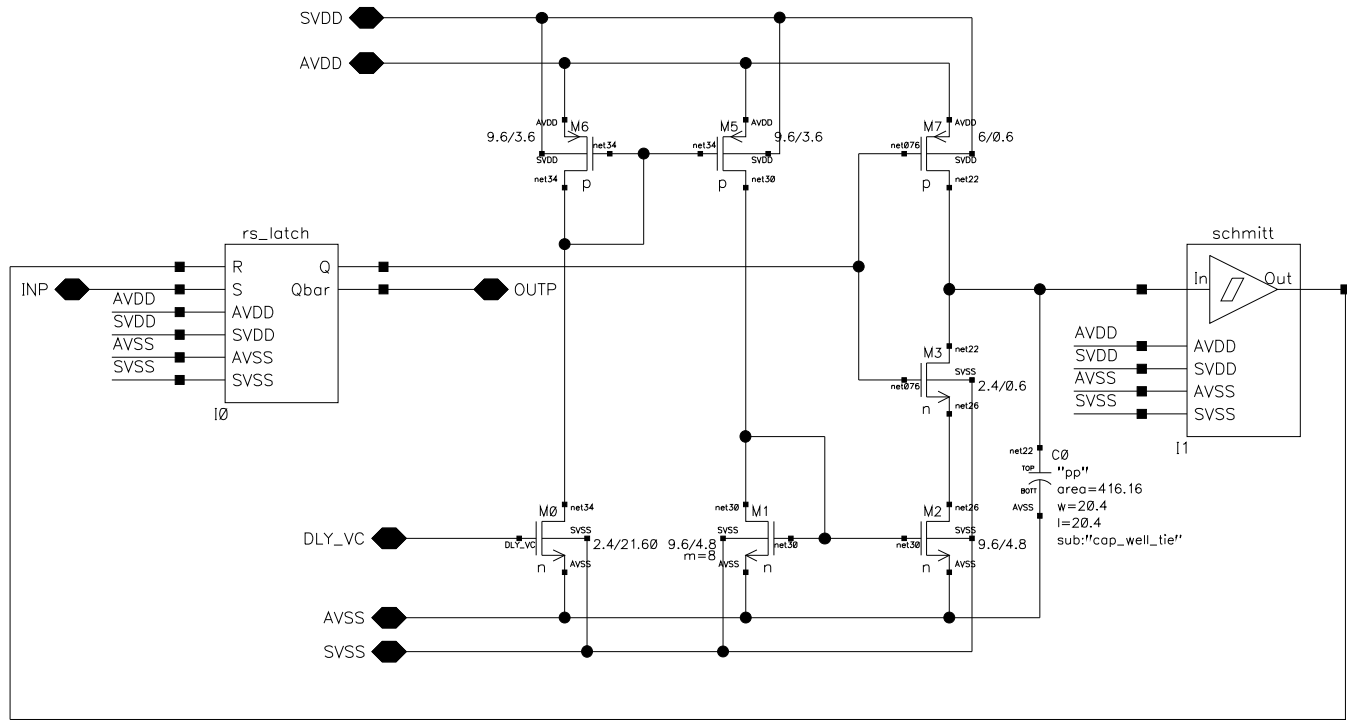
UPDATED	Sep 6 14:10:53 2002			ny_res85k	
DRAWN					
CHECKED					
CHECKED	SIZE	CAGE NO.	DWG NO.	REV	
ISSUED	A				
	SCALE			SHEET	1 OF 1

REVISIONS				
ZONE	REV	DESCRIPTION	DATE	APPROVED



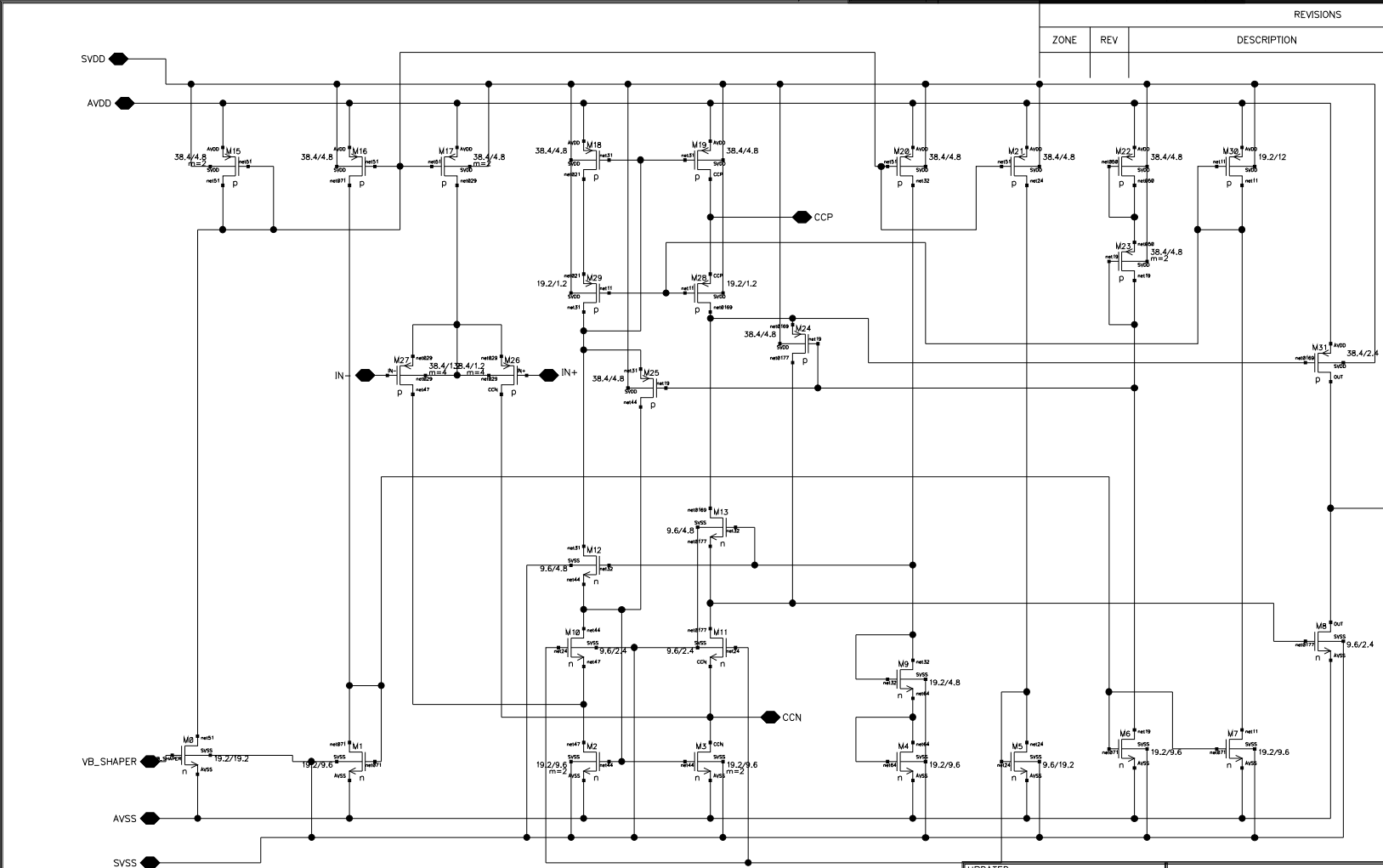
UPDATED	one_shot_100ns			
Jul 30 12:44:13 2003				
DRAWN				
CHECKED				
CHECKED	SIZE	CAGE NO.	DWG NO.	REV
ISSUED	A			
	SCALE			SHEET 1 OF 1

REVISIONS				
ZONE	REV	DESCRIPTION	DATE	APPROVED



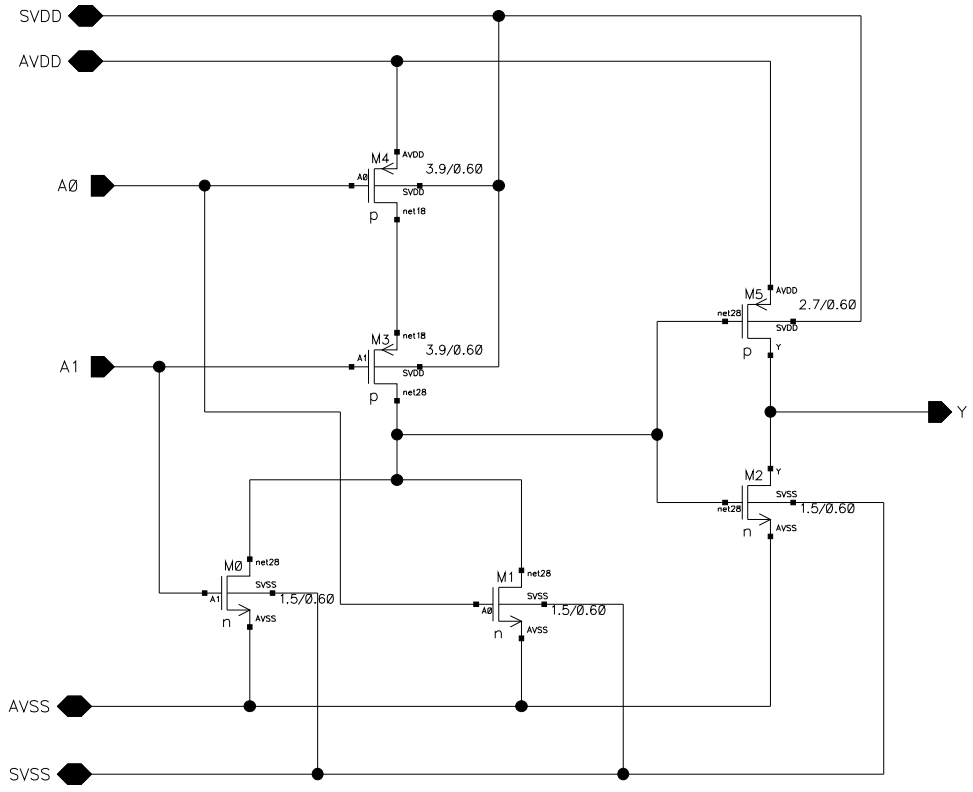
UPDATED Jul 24 16:20:22 2003	one_shot_vari			
DRAWN				
CHECKED				
CHECKED	SIZE A	CAGE NO.	DWG NO.	REV
ISSUED	SCALE	SHEET 1 OF 1		

REVISIONS				
ZONE	REV	DESCRIPTION	DATE	APPROVED



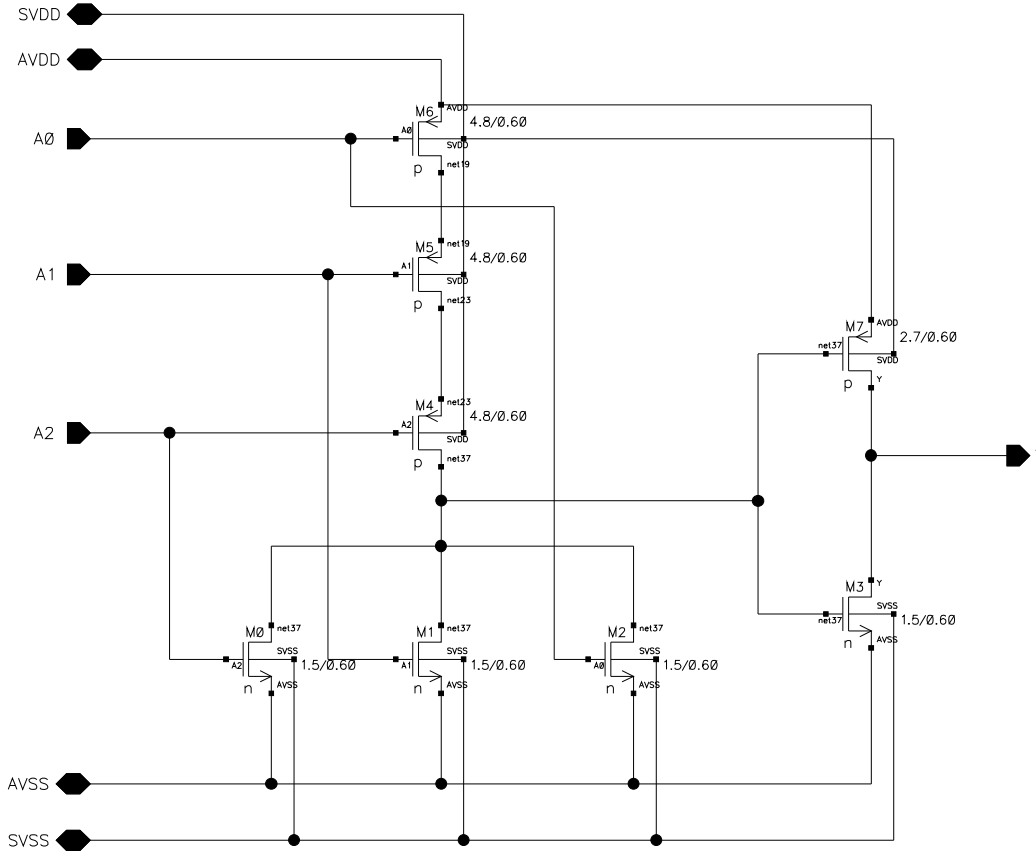
UPDATED	Mar 14 18:35:35 2004			opamp	
DRAWN					
CHECKED					
CHECKED	SIZE	CAGE NO.	DWG NO.	REV	
ISSUED	B				
SCALE				SHEET 1 OF 1	

REVISIONS				
ZONE	REV	DESCRIPTION	DATE	APPROVED



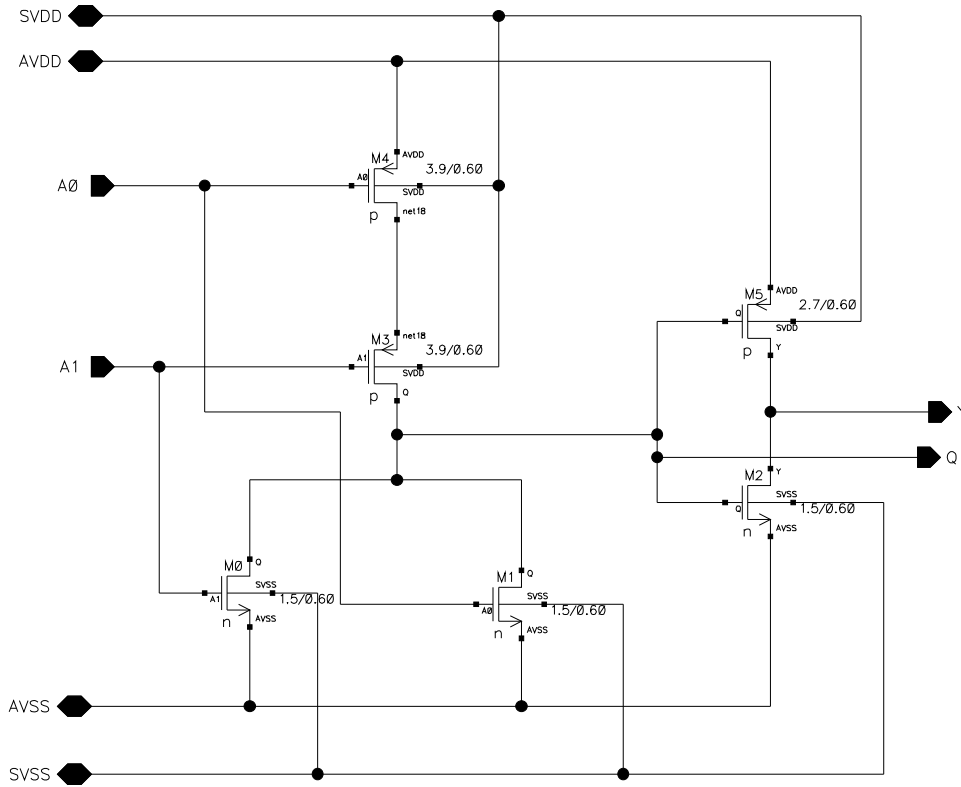
UPDATED	or			
Nov 21 20:12:10 2002				
DRAWN				
CHECKED				
CHECKED	SIZE A	CAGE NO.	DWG NO.	REV
ISSUED	SCALE			SHEET 1 OF 1

REVISIONS				
ZONE	REV	DESCRIPTION	DATE	APPROVED



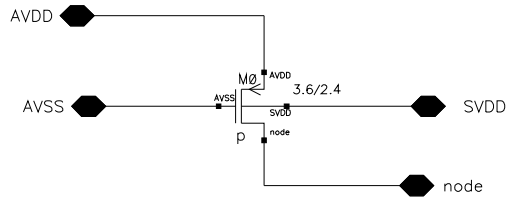
UPDATED	or_3inp			
Aug 6 12:38:08 2002				
DRAWN				
CHECKED				
CHECKED	SIZE	CAGE NO.	DWG NO.	REV
ISSUED	A			
	SCALE			SHEET 1 OF 1

REVISIONS				
ZONE	REV	DESCRIPTION	DATE	APPROVED



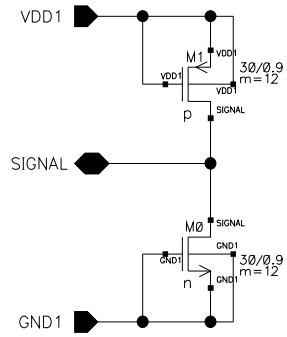
UPDATED	or_rslatch			
Jul 30 12:40:16 2003				
DRAWN				
CHECKED				
CHECKED	SIZE	CAGE NO.	DWG NO.	REV
ISSUED	A			
	SCALE			SHEET 1 OF 1

REVISIONS				
ZONE	REV	DESCRIPTION	DATE	APPROVED



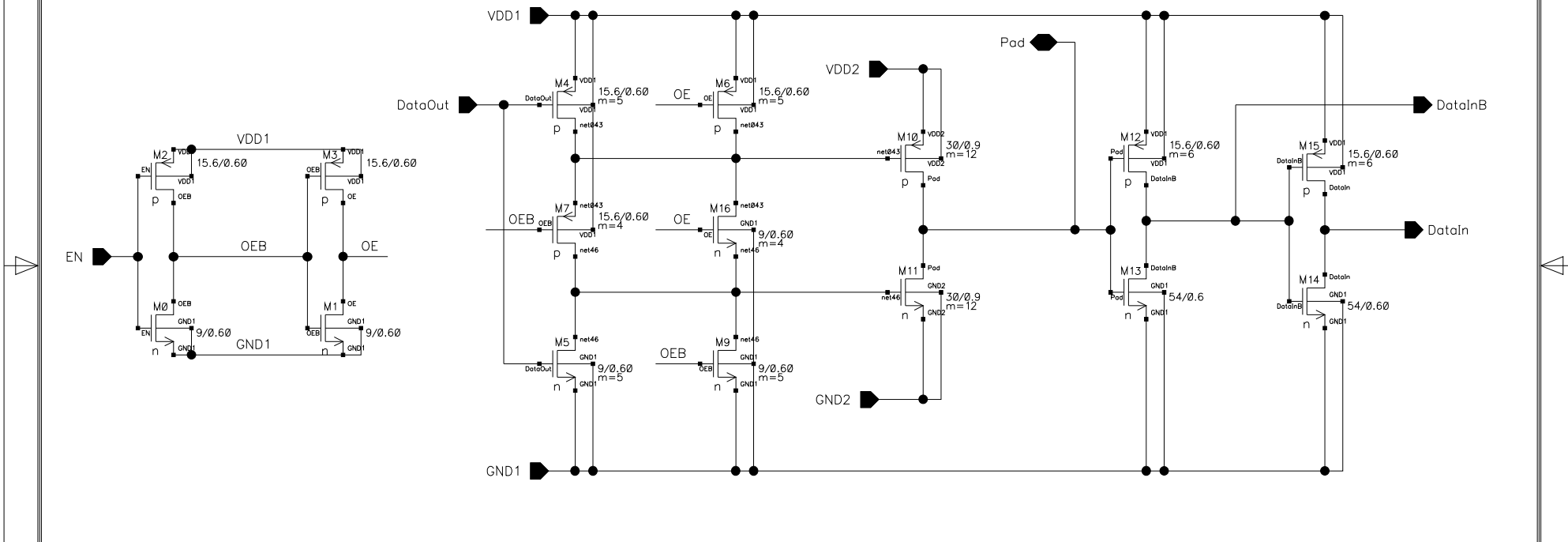
UPDATED	p_fet			
Sep 5 14:33:18 2002				
DRAWN				
CHECKED				
CHECKED	SIZE	CAGE NO.	DWG NO.	REV
ISSUED	A			
	SCALE		SHEET	1 OF 1

REVISIONS				
ZONE	REV	DESCRIPTION	DATE	APPROVED



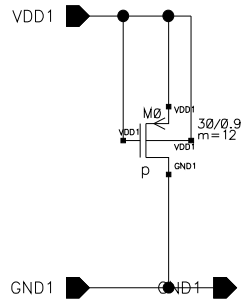
UPDATED May 29 15:17:31 2007	PadAref			
DRAWN				
CHECKED				
CHECKED	SIZE A	CAGE NO.	DWG NO.	REV
ISSUED	SCALE			SHEET 1 OF 1

REVISIONS				
ZONE	REV	DESCRIPTION	DATE	APPROVED



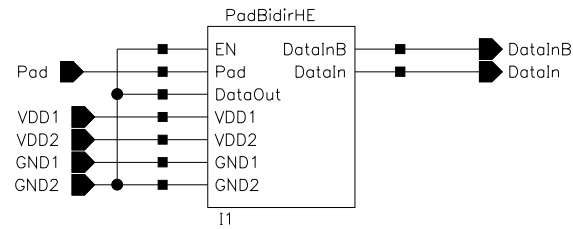
UPDATED	PadBidirHE			
Jul 9 16:28:29 2003				
DRAWN				
CHECKED				
CHECKED	SIZE	CAGE NO.	DWG NO.	REV
ISSUED	A			
	SCALE			SHEET 1 OF 1

REVISIONS				
ZONE	REV	DESCRIPTION	DATE	APPROVED



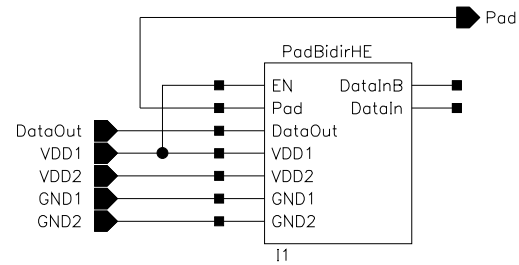
UPDATED	PadGnd			
Nov 11 15:38:19 2004				
DRAWN				
CHECKED				
CHECKED	SIZE	CAGE NO.	DWG NO.	REV
ISSUED	A			
	SCALE			SHEET 1 OF 1

REVISIONS				
ZONE	REV	DESCRIPTION	DATE	APPROVED



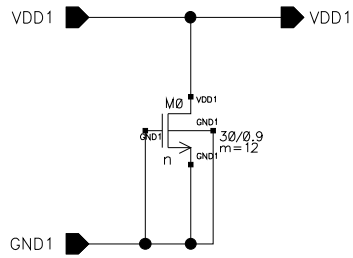
UPDATED	PadInc			
Jul 9 16:11:27 2003				
DRAWN				
CHECKED				
CHECKED	SIZE	CAGE NO.	DWG NO.	REV
ISSUED	A			
	SCALE			SHEET 1 OF 1

REVISIONS				
ZONE	REV	DESCRIPTION	DATE	APPROVED



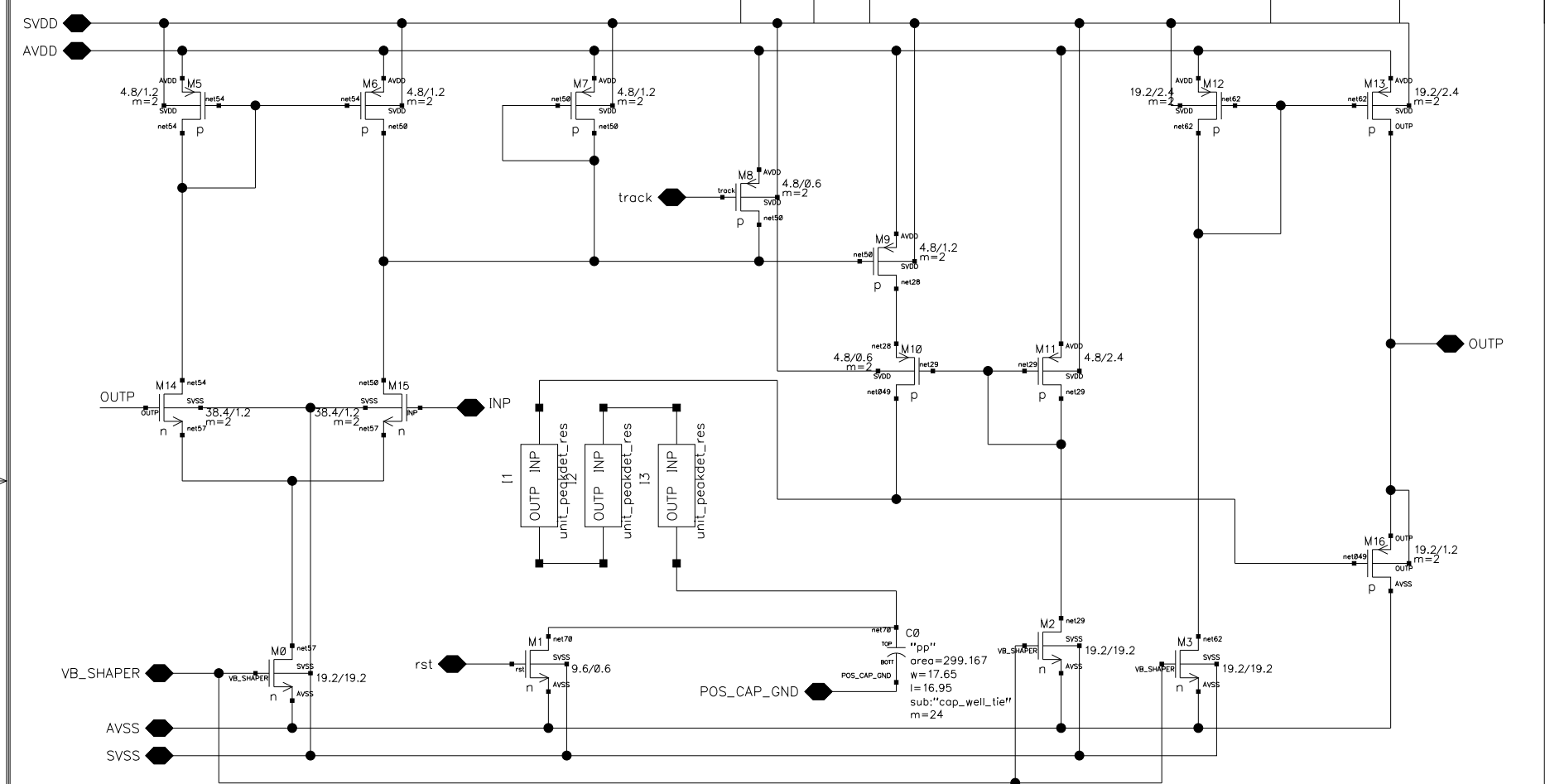
UPDATED	PadOut			
Jul 9 16:11:11 2003				
DRAWN				
CHECKED				
CHECKED	SIZE	CAGE NO.	DWG NO.	REV
ISSUED	A			
	SCALE			SHEET 1 OF 1

REVISIONS				
ZONE	REV	DESCRIPTION	DATE	APPROVED



UPDATED	PadVdd			
Nov 11 15:36:54 2004				
DRAWN				
CHECKED				
CHECKED	SIZE A	CAGE NO.	DWG NO.	REV
ISSUED	SCALE			SHEET 1 OF 1

REVISIONS				
ZONE	REV	DESCRIPTION	DATE	APPROVED

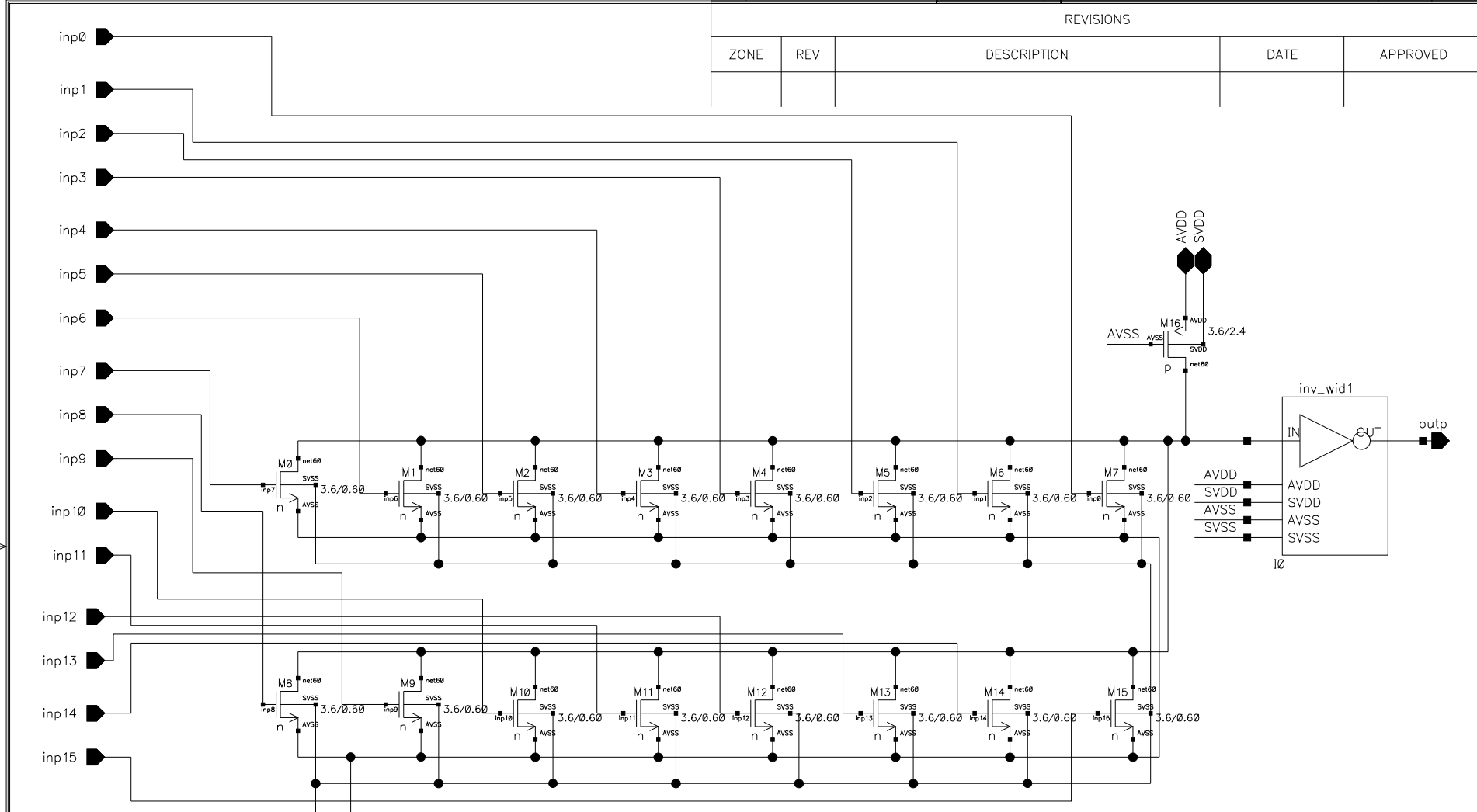


UPDATED	Jun 28 11:30:21 2007
DRAWN	
CHECKED	
CHECKED	
ISSUED	

pos_pk_detect			
SIZE	CAGE NO.	DWG NO.	REV
A			
SCALE			SHEET 1 OF 1

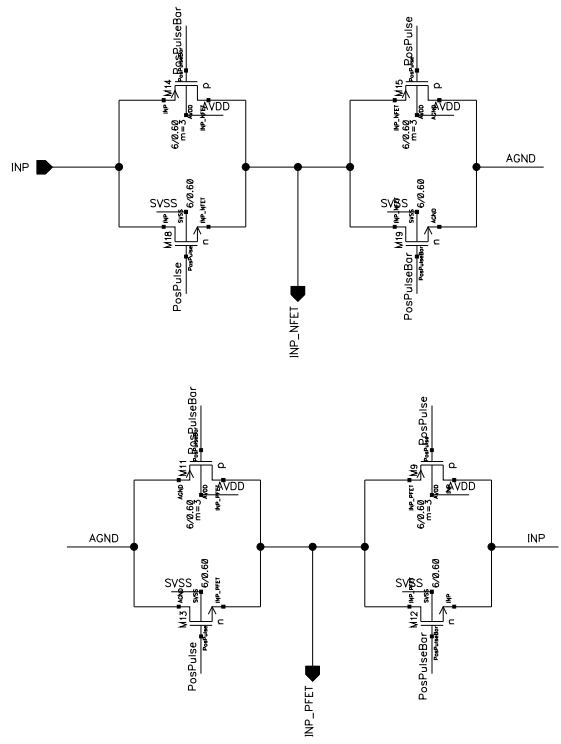
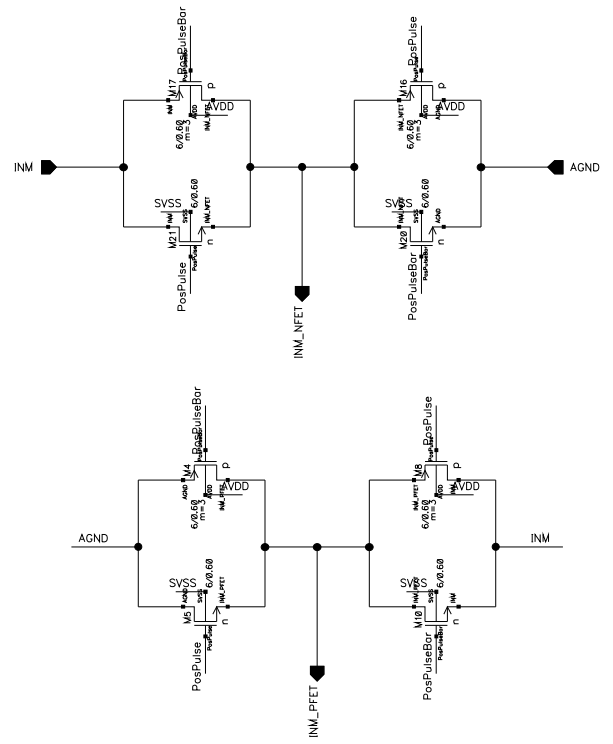
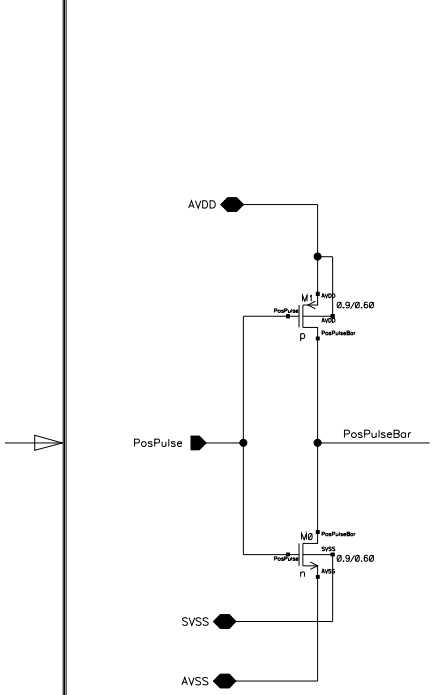


REVISIONS			
ZONE	REV	DESCRIPTION	DATE



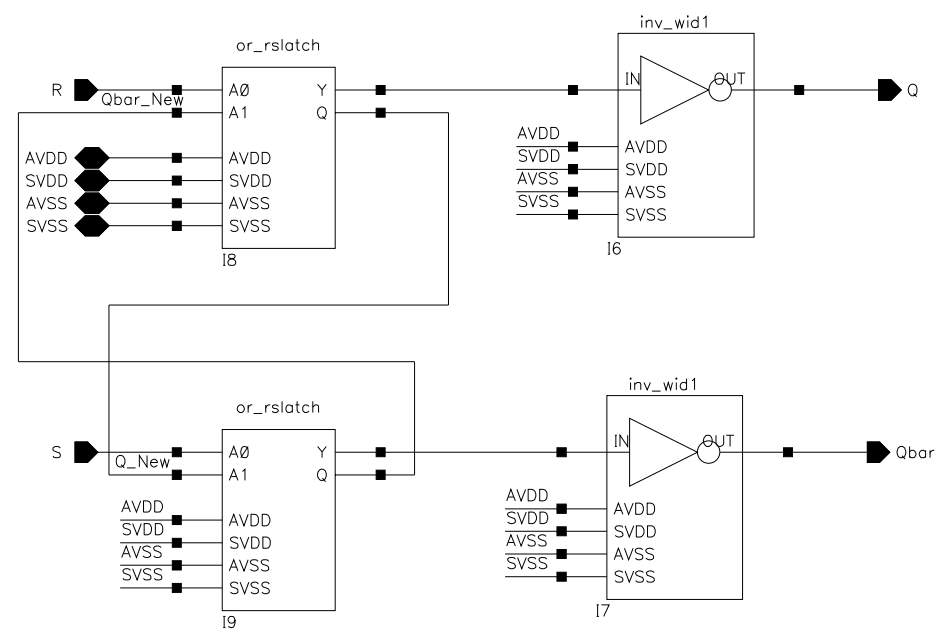
UPDATED	pseu_or		
Sep 28 16:11:41 2005			
DRAWN			
CHECKED			
CHECKED	SIZE	CAGE NO.	DWG NO.
ISSUED	SCALE	SHEET 1 OF 1	

REVISIONS				
ZONE	REV	DESCRIPTION	DATE	APPROVED



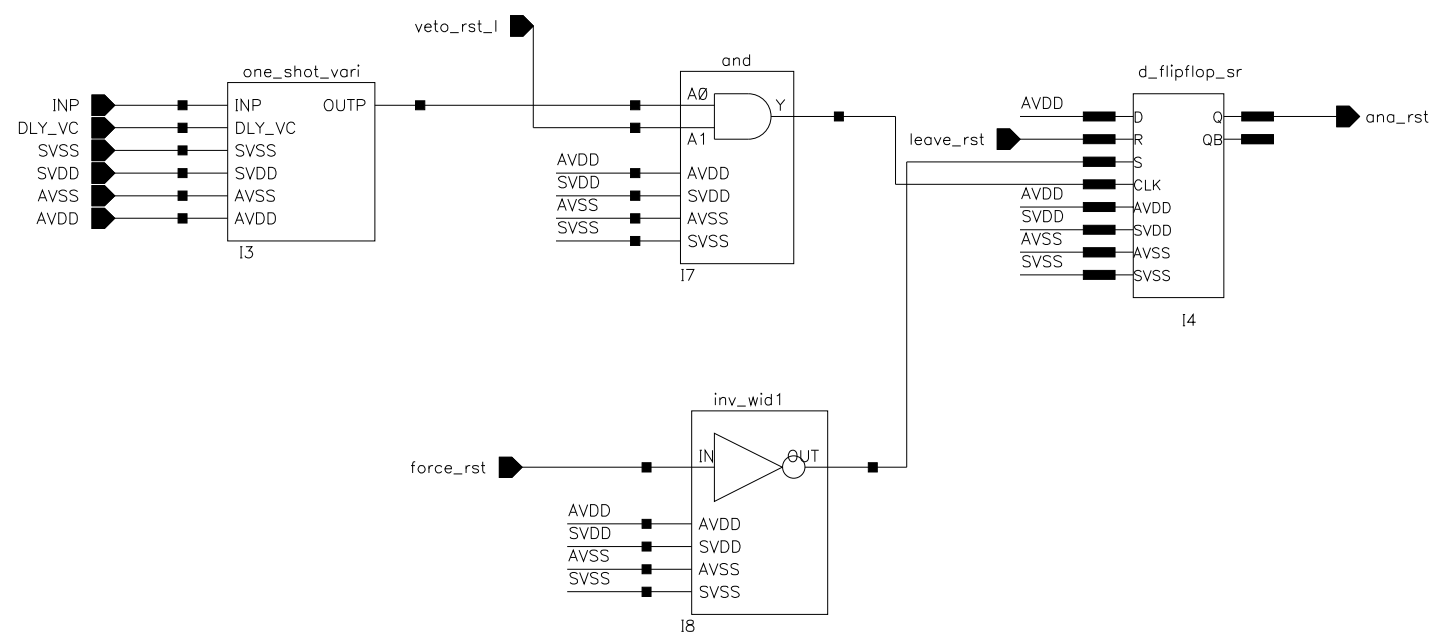
UPDATED	Jul 27 09:38:15 2007		
DRAWN			
CHECKED			
CHECKED	SIZE	CAGE NO.	DWG NO.
ISSUED	B		
SCALE			SHEET 1 OF 1

REVISIONS				
ZONE	REV	DESCRIPTION	DATE	APPROVED



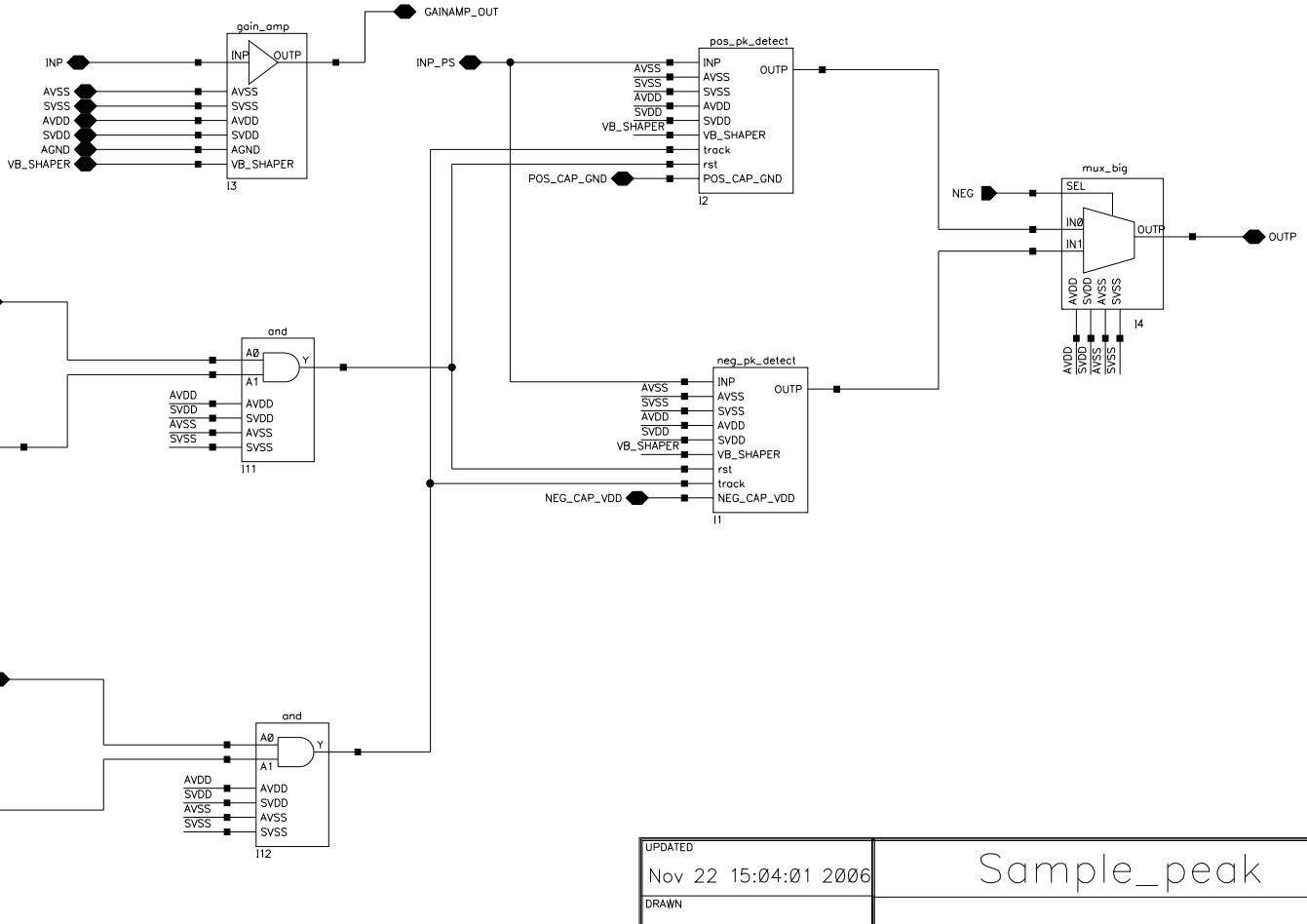
UPDATED	rs_latch		
Jul 30 12:40:17 2003			
DRAWN			
CHECKED			
CHECKED	SIZE	CAGE NO.	DWG NO.
ISSUED	A		
	SCALE		SHEET 1 OF 1

REVISIONS				
ZONE	REV	DESCRIPTION	DATE	APPROVED



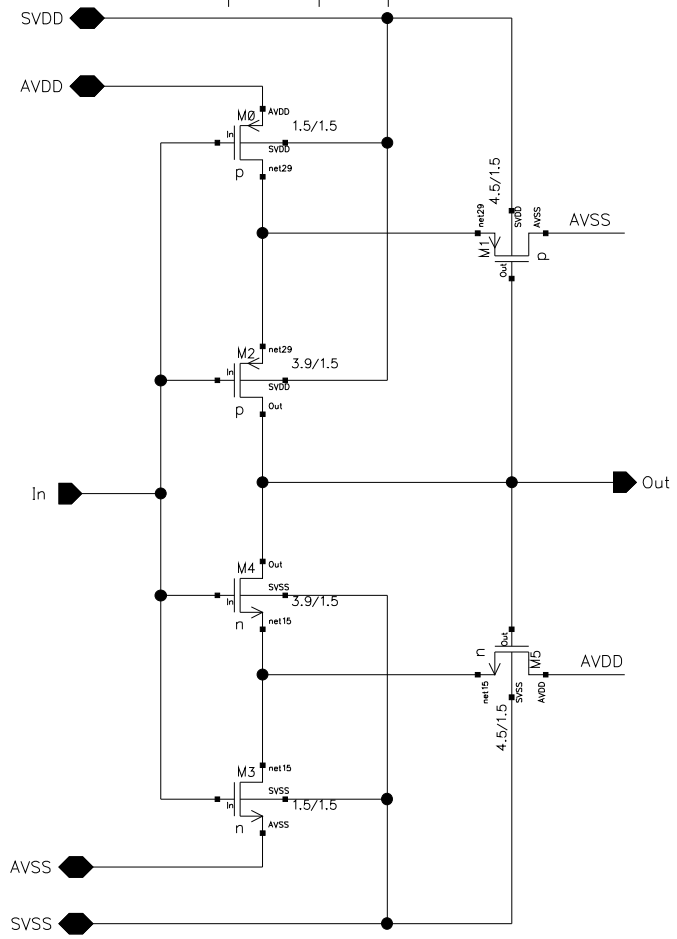
UPDATED	rst_logic			
Oct 19 18:19:33 2004				
DRAWN				
CHECKED				
CHECKED	SIZE	CAGE NO.	DWG NO.	REV
ISSUED	A			
	SCALE			SHEET 1 OF 1

REVISIONS				
ZONE	REV	DESCRIPTION	DATE	APPROVED



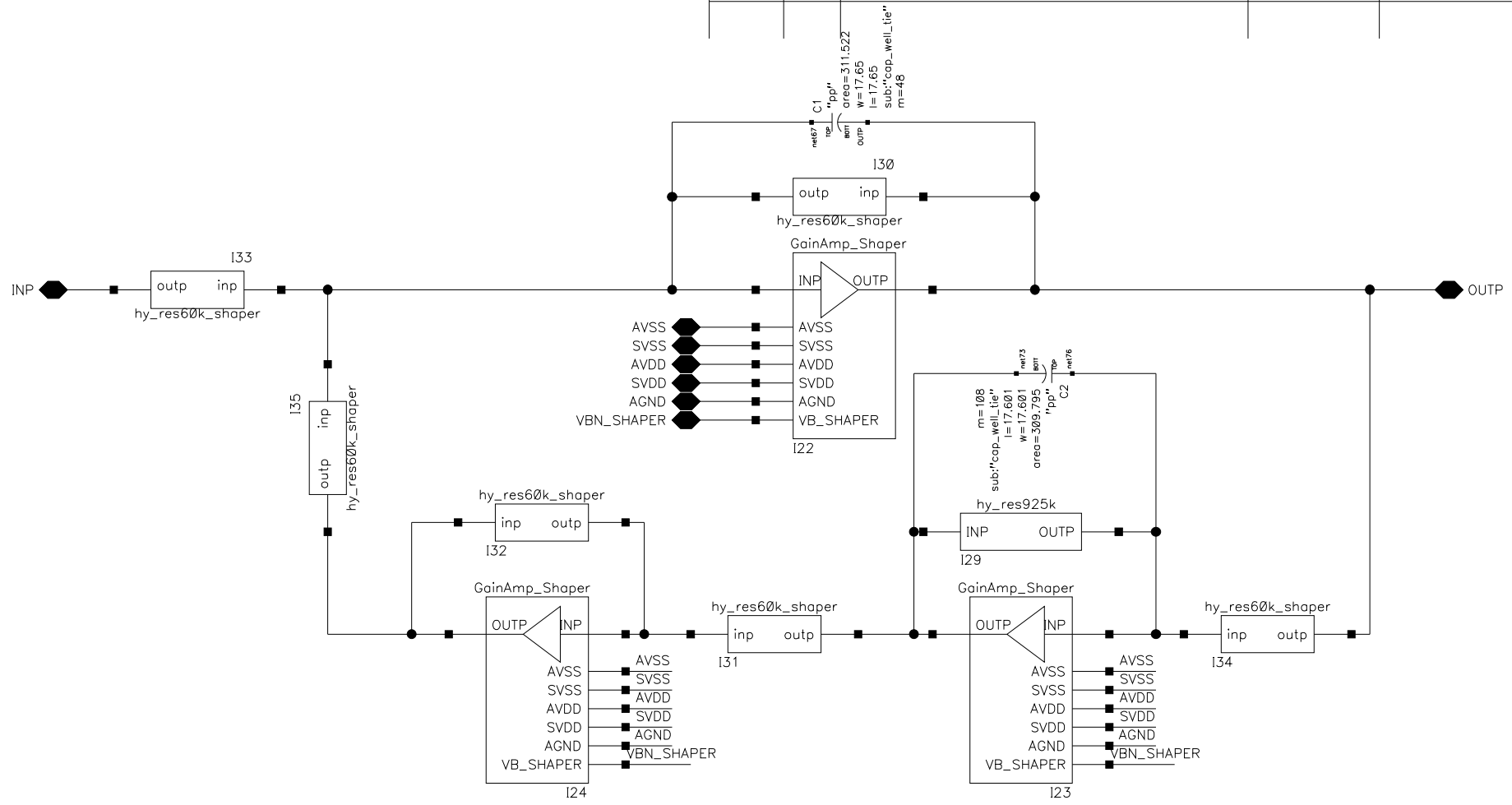
UPDATED	Nov 22 15:04:01 2006			Sample_peak	
DRAWN					
CHECKED					
CHECKED	SIZE	CAGE NO.	DWG NO.	REV	
ISSUED	B				
	SCALE			SHEET	1 OF 1

REVISIONS				
ZONE	REV	DESCRIPTION	DATE	APPROVED



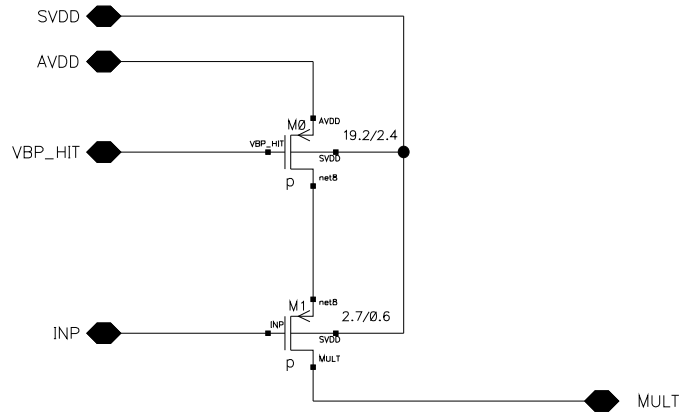
UPDATED Jul 24 14:48:04 2003	schmitt			
DRAWN				
CHECKED				
CHECKED	SIZE A	CAGE NO.	DWG NO.	REV
ISSUED	SCALE	SHEET 1 OF 1		

REVISIONS				
ZONE	REV	DESCRIPTION	DATE	APPROVED



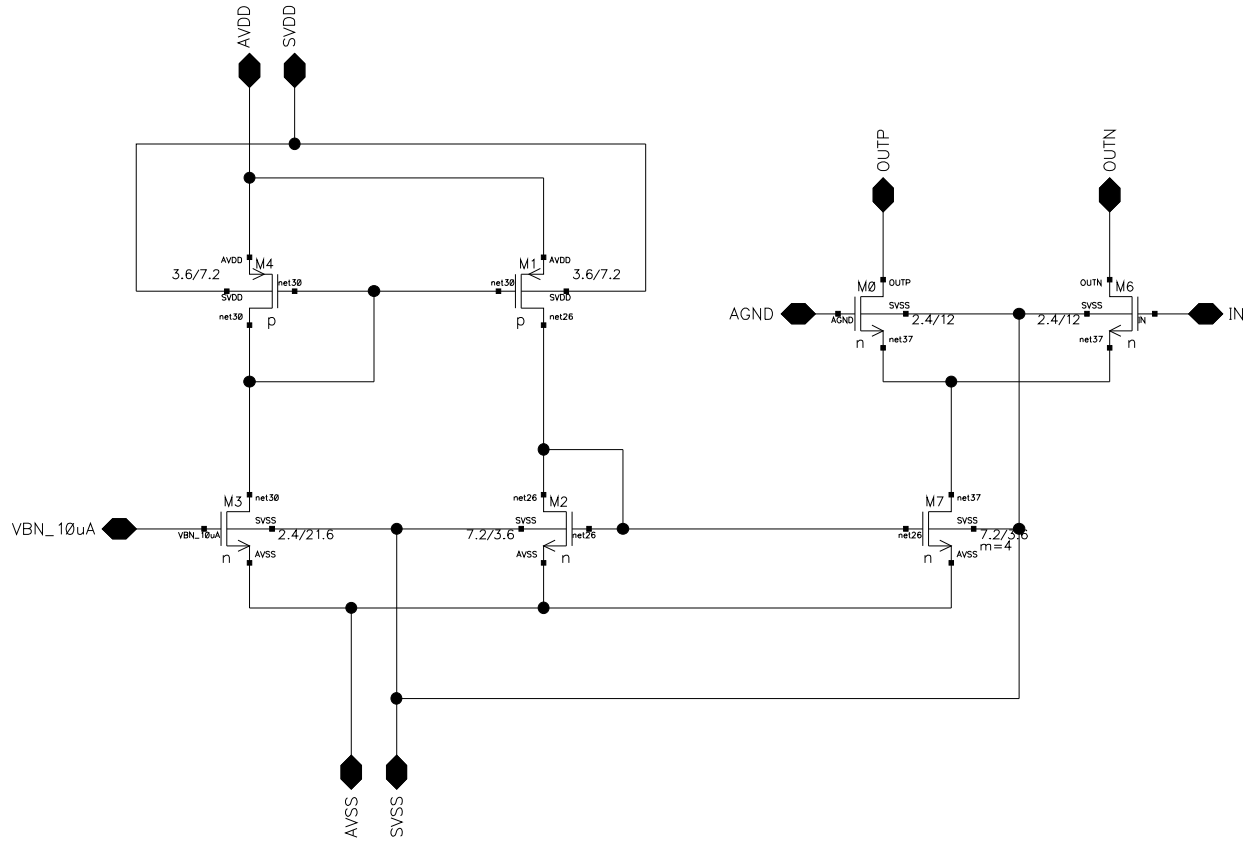
UPDATED	Shaper			
Jun 28 11:26:12 2007				
DRAWN				
CHECKED				
CHECKED				
ISSUED	SIZE	CAGE NO.	DWG NO.	REV
	A			
	SCALE			SHEET 1 OF 1

REVISIONS				
ZONE	REV	DESCRIPTION	DATE	APPROVED



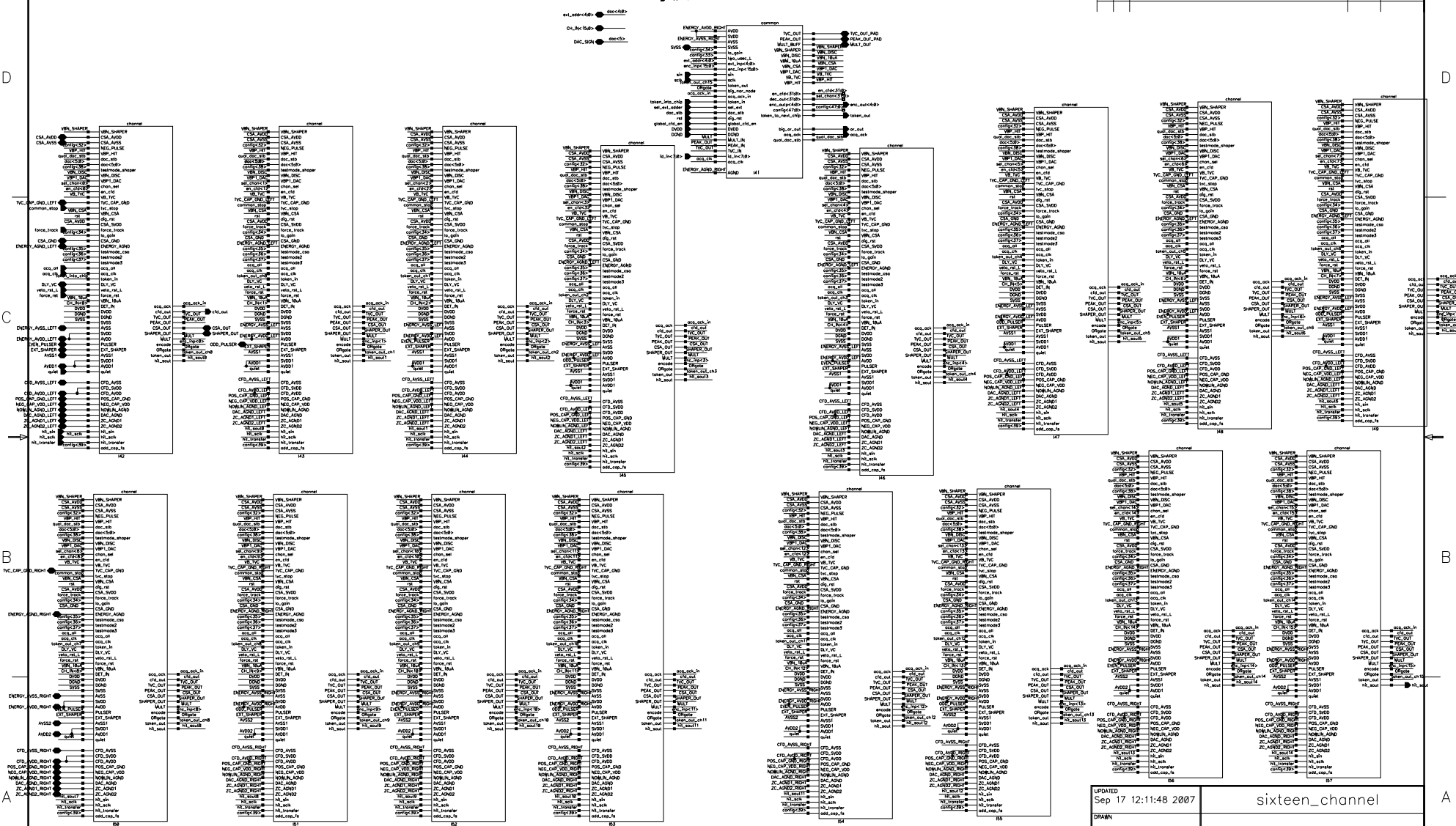
UPDATED	single_mult			
Jun 28 17:06:00 2005				
DRAWN				
CHECKED				
CHECKED	SIZE	CAGE NO.	DWG NO.	REV
ISSUED	A			
	SCALE			SHEET 1 OF 1

REVISIONS				
ZONE	REV	DESCRIPTION	DATE	APPROVED



UPDATED	single2diff			
Aug 5 12:51:12 2002				
DRAWN				
CHECKED				
CHECKED	SIZE	CAGE NO.	DWG NO.	REV
ISSUED	A			
	SCALE			SHEET 1 OF 1

REVISIONS		DATE	APPROVED
ZONE	REV	DESCRIPTION	



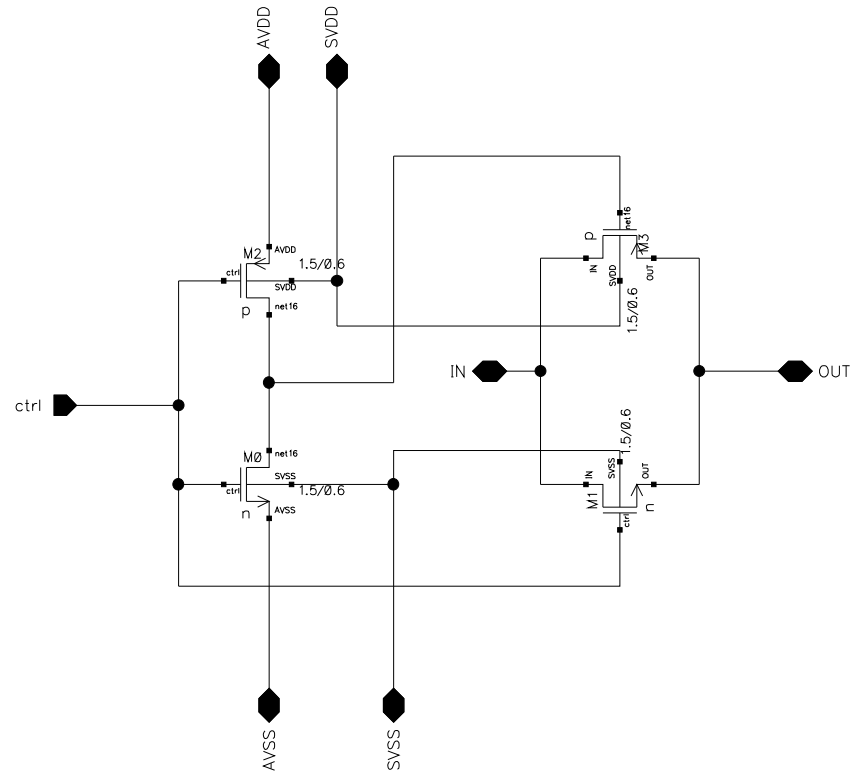
UPDATED  
Sep 17 12:11:48 2007  
sixteen\_channel

DRAWN	SIZE	CAGE NO.	DWG NO.	REV
CHECKED	D			
CHECKED	SCALE			
ISSUED				SHEET 1 OF 1



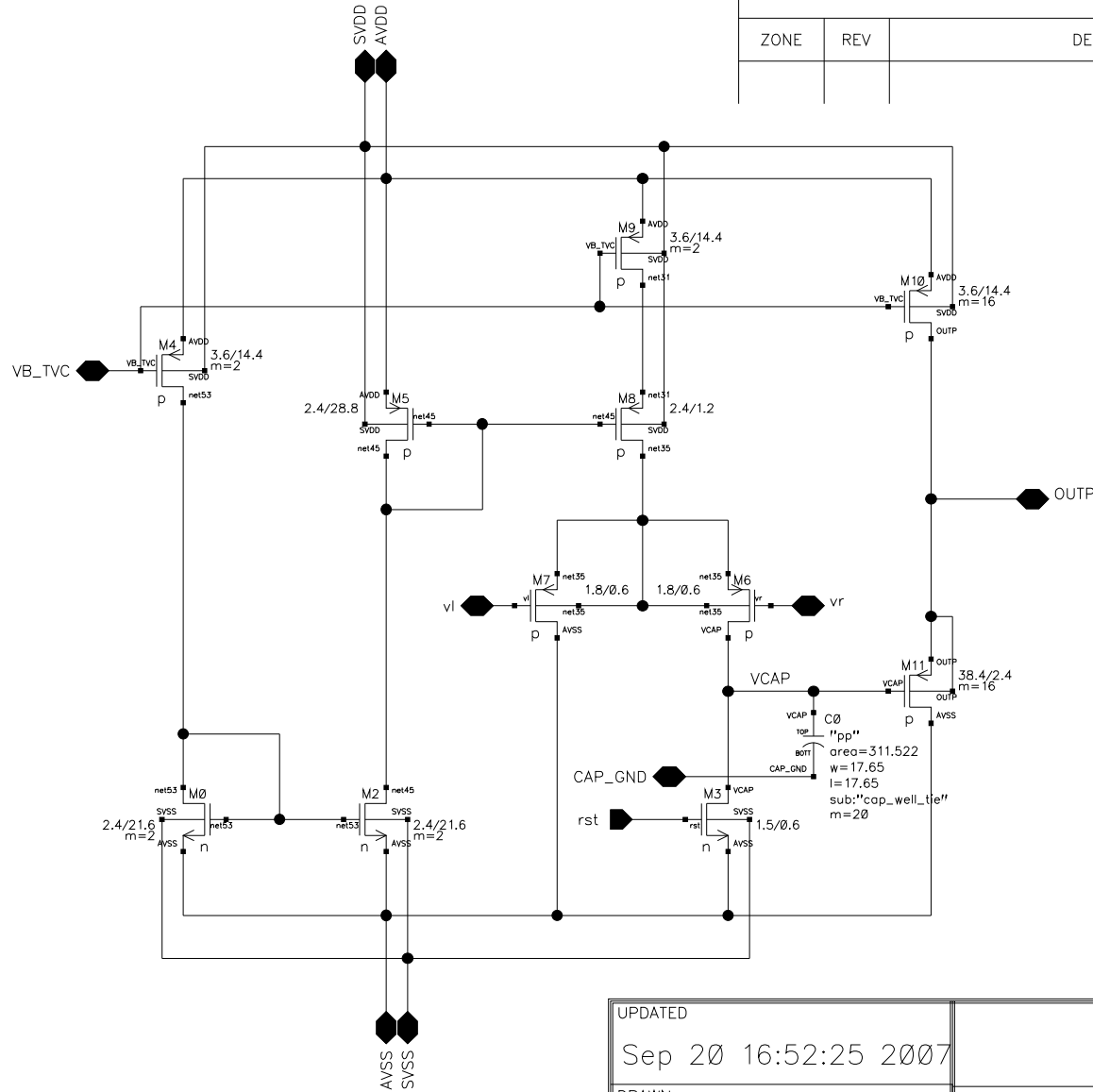


REVISIONS				
ZONE	REV	DESCRIPTION	DATE	APPROVED



UPDATED	switch_CSA			
Jul 24 16:19:23 2003				
DRAWN				
CHECKED				
CHECKED	SIZE	CAGE NO.	DWG NO.	REV
ISSUED	A			
	SCALE			SHEET 1 OF 1

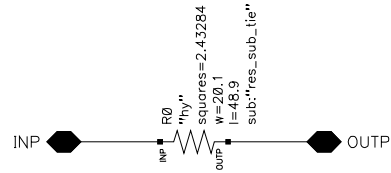
REVISIONS				
ZONE	REV	DESCRIPTION	DATE	APPROVED



UPDATED	tvc			
Sep 20 16:52:25 2007				
DRAWN				
CHECKED				
CHECKED	SIZE	CAGE NO.	DWG NO.	REV
ISSUED	A			
	SCALE			SHEET 1 OF 1

REVISIONS				
ZONE	REV	DESCRIPTION	DATE	APPROVED

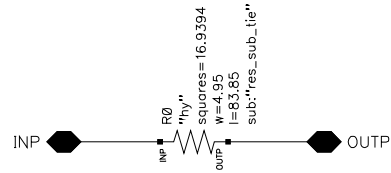
Resistor has l=48.9u and w=20.1u



UPDATED	unit_bias_res		
Jun 20 16:17:28 2005			
DRAWN			
CHECKED			
CHECKED	SIZE	CAGE NO.	DWG NO.
ISSUED	A		
	SCALE		SHEET 1 OF 1

REVISIONS				
ZONE	REV	DESCRIPTION	DATE	APPROVED

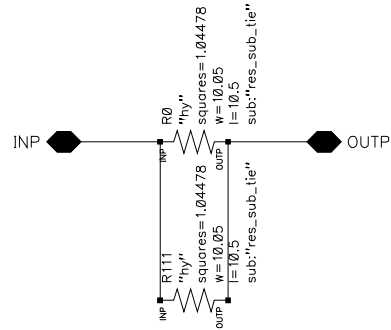
Resistor has  $l=83.85\mu$  and  $w=4.95\mu$



UPDATED	unit_bias_res_2		
Jun 20 16:20:31 2005			
DRAWN			
CHECKED			
CHECKED	SIZE A	CAGE NO.	DWG NO.
ISSUED	SCALE	SHEET 1 OF 1	

REVISIONS				
ZONE	REV	DESCRIPTION	DATE	APPROVED

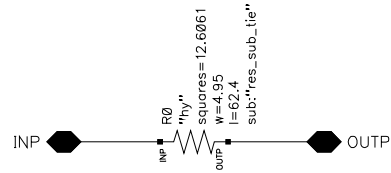
Resistor has l=10.5u and w=10.05u m=2



UPDATED	unit_bias_res_3		
Aug 30 09:04:34 2006			
DRAWN			
CHECKED			
CHECKED	SIZE A	CAGE NO.	DWG NO.
ISSUED	SCALE	SHEET 1 OF 1	

REVISIONS				
ZONE	REV	DESCRIPTION	DATE	APPROVED

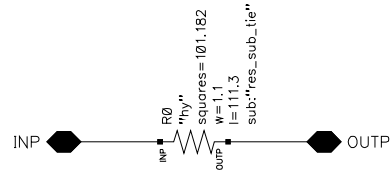
Resistor has l=62.4u and w=4.95u



UPDATED	unit_cons_current_res		
Jun 20 16:13:09 2005			
DRAWN			
CHECKED			
CHECKED	SIZE A	CAGE NO.	DWG NO.
ISSUED	SCALE	SHEET 1 OF 1	

REVISIONS				
ZONE	REV	DESCRIPTION	DATE	APPROVED

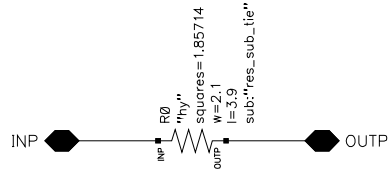
Resistor has l=111.3u and w=1u



UPDATED	unit_csa_res		
Jun 20 15:11:56 2005			
DRAWN			
CHECKED			
CHECKED	SIZE	CAGE NO.	DWG NO.
ISSUED	A		
	SCALE		SHEET 1 OF 1

REVISIONS				
ZONE	REV	DESCRIPTION	DATE	APPROVED

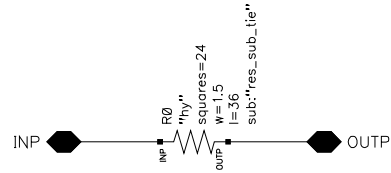
Resistor has l=3.9u and w=2.1u



UPDATED	unit_dacbias_res		
Jun 20 16:06:51 2005			
DRAWN			
CHECKED			
CHECKED	SIZE A	CAGE NO.	DWG NO.
ISSUED	SCALE	SHEET 1 OF 1	

REVISIONS				
ZONE	REV	DESCRIPTION	DATE	APPROVED

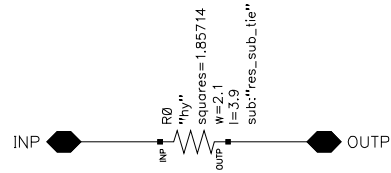
Resistor has l=36u and w=1.5u



UPDATED	unit_gainamp_res		
Jun 20 15:34:56 2005			
DRAWN			
CHECKED			
CHECKED	SIZE A	CAGE NO.	DWG NO.
ISSUED	SCALE	SHEET 1 OF 1	

REVISIONS				
ZONE	REV	DESCRIPTION	DATE	APPROVED

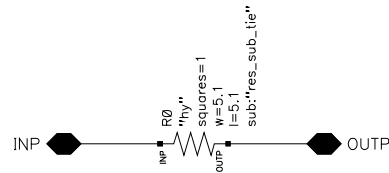
Resistor has l=3.9u and w=2.1u



UPDATED	unit_hitlogic_res		
Jun 30 15:19:07 2005			
DRAWN			
CHECKED			
CHECKED	SIZE A	CAGE NO.	DWG NO.
ISSUED	SCALE	SHEET 1 OF 1	

REVISIONS				
ZONE	REV	DESCRIPTION	DATE	APPROVED

Resistor has l=5u and w=5u m=1

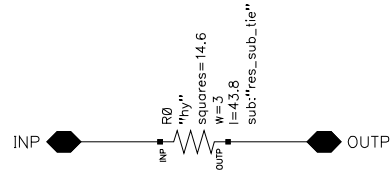


12-22-2006 - Michael Hall  
 Doubled the resistance by removing one of the parallel resistors. This was done in order to increase the DAC range by a factor of 2.

UPDATED	unitledac_res		
May 21 14:28:23 2007			
DRAWN			
CHECKED			
CHECKED	SIZE	CAGE NO.	DWG NO.
ISSUED	A		
	SCALE		SHEET 1 OF 1

REVISIONS				
ZONE	REV	DESCRIPTION	DATE	APPROVED

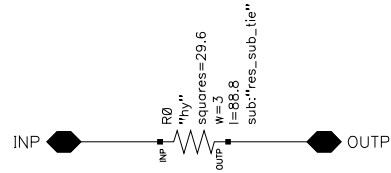
Resistor has l=43.8u and w=3u



UPDATED	unit_nowlin_res		
Jun 20 15:48:05 2005			
DRAWN			
CHECKED			
CHECKED	SIZE A	CAGE NO.	DWG NO.
ISSUED	SCALE	SHEET 1 OF 1	

REVISIONS				
ZONE	REV	DESCRIPTION	DATE	APPROVED

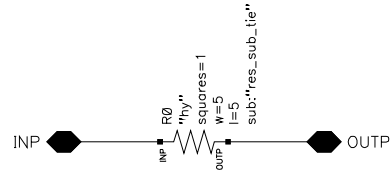
Resistor has l=88.8u and w=3u



UPDATED	unit_nowlin_res_2		
Jun 20 15:51:56 2005			
DRAWN			
CHECKED			
CHECKED	SIZE	CAGE NO.	DWG NO.
ISSUED	A		
	SCALE		SHEET 1 OF 1

REVISIONS				
ZONE	REV	DESCRIPTION	DATE	APPROVED

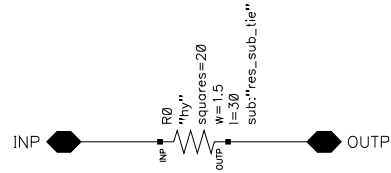
Resistor has l=5u and w=5u



UPDATED	unit_peakdet_res		
Jun 20 15:40:42 2005			
DRAWN			
CHECKED			
CHECKED	SIZE A	CAGE NO.	DWG NO.
ISSUED	SCALE	SHEET 1 OF 1	

REVISIONS				
ZONE	REV	DESCRIPTION	DATE	APPROVED

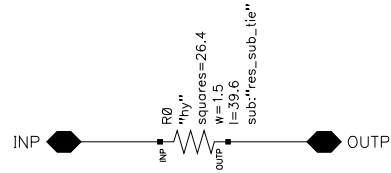
Resistor has  $l=30u$  and  $w=1.5u$



UPDATED	unit_shaper_res		
Jun 20 15:46:00 2005			
DRAWN			
CHECKED			
CHECKED	SIZE A	CAGE NO.	DWG NO.
ISSUED	SCALE	SHEET 1 OF 1	

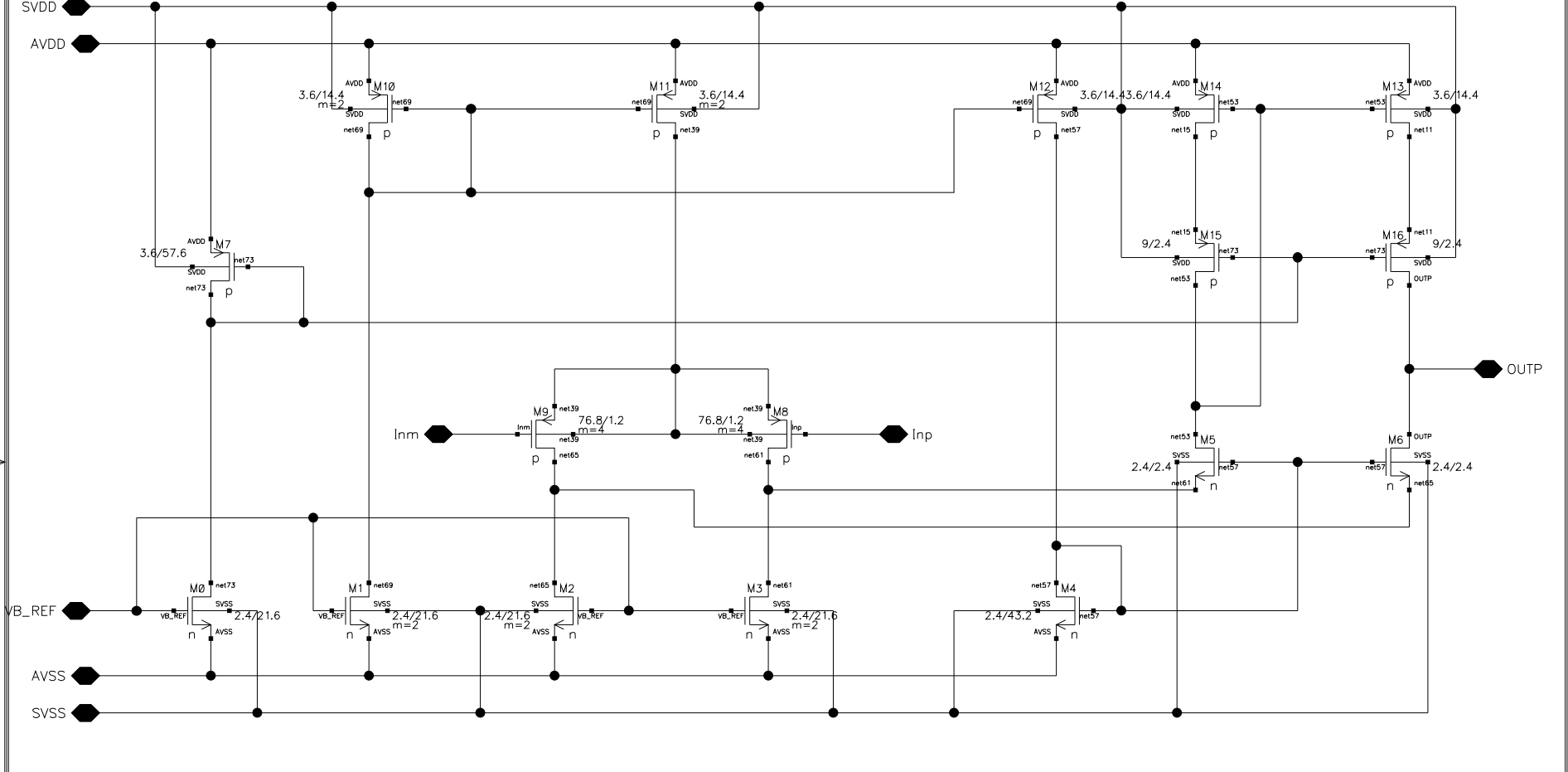
REVISIONS				
ZONE	REV	DESCRIPTION	DATE	APPROVED

Resistor has  $l=39.6\mu$  and  $w=1.5\mu$



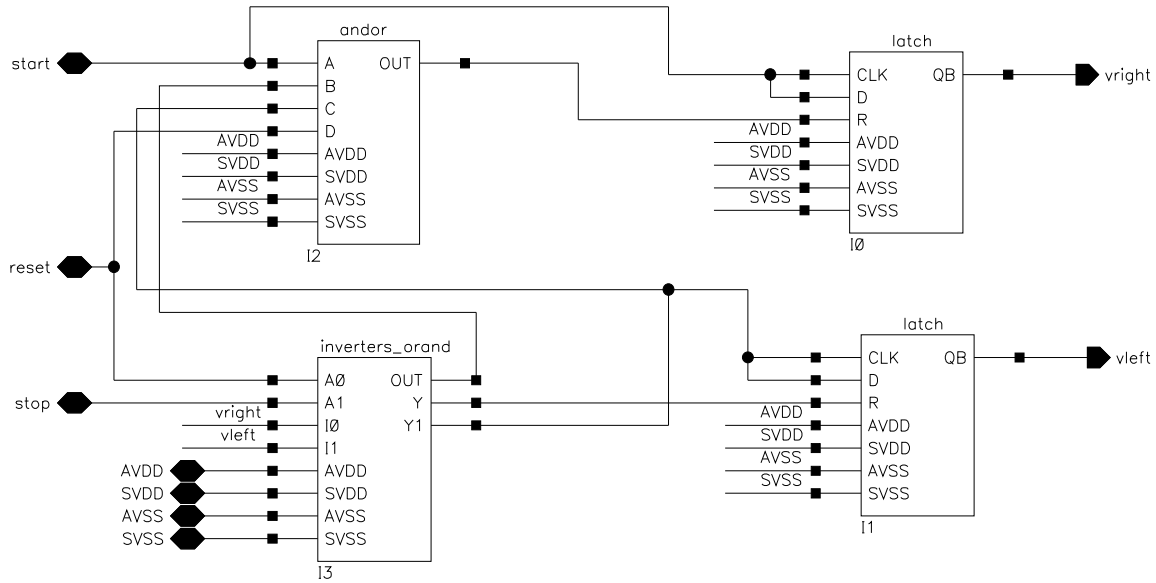
UPDATED	unit_shaper_res_2		
Jun 20 15:26:43 2005			
DRAWN			
CHECKED			
CHECKED	SIZE A	CAGE NO.	DWG NO.
ISSUED	SCALE	SHEET 1 OF 1	

REVISIONS				
ZONE	REV	DESCRIPTION	DATE	APPROVED



UPDATED	vref_buffer			
Sep 5 15:19:32 2002				
DRAWN				
CHECKED				
CHECKED	SIZE	CAGE NO.	DWG NO.	REV
ISSUED	A			
	SCALE			SHEET 1 OF 1

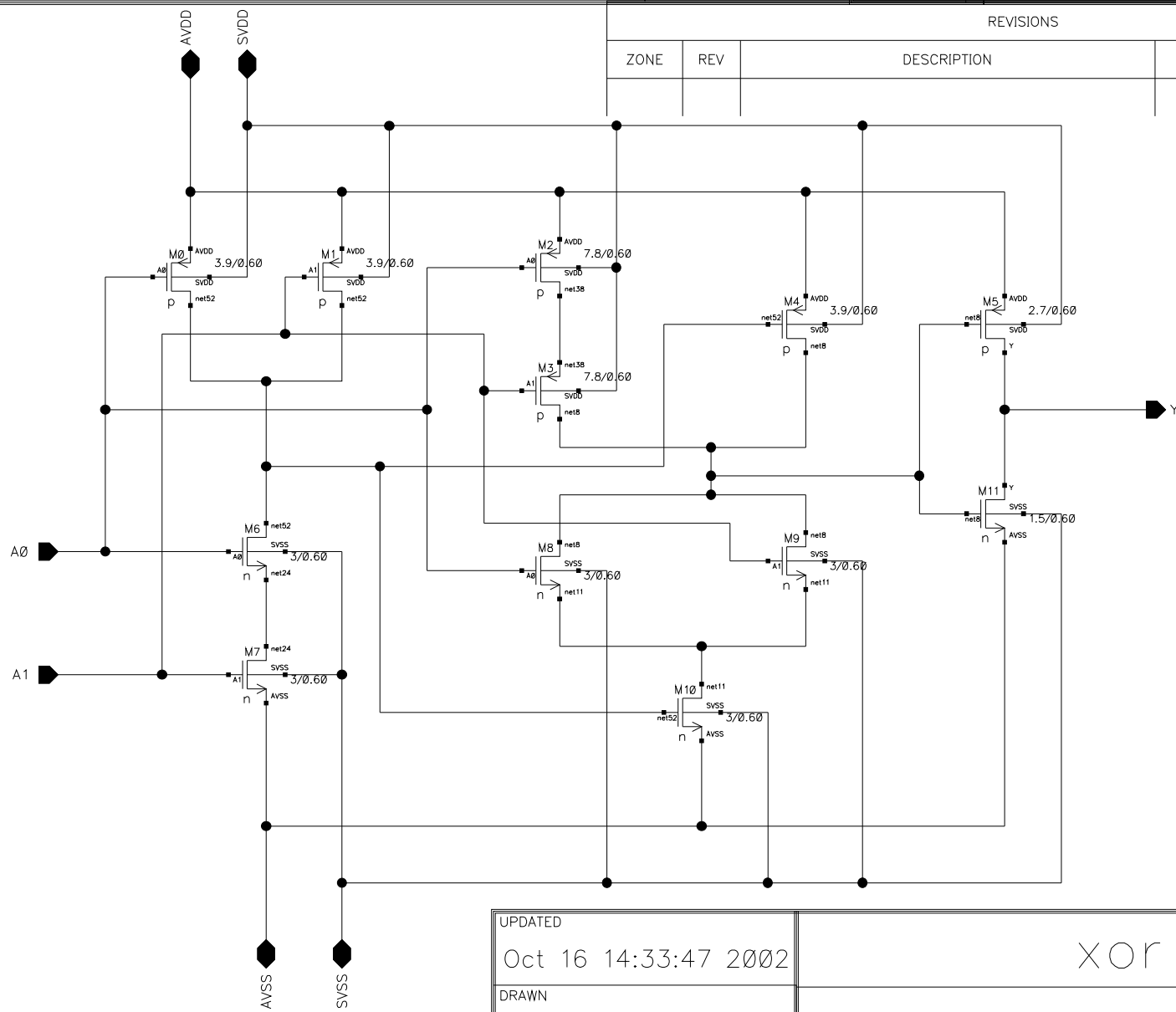
REVISIONS				
ZONE	REV	DESCRIPTION	DATE	APPROVED



UPDATED Jul 24 16:20:34 2003	width_gen			
DRAWN				
CHECKED				
CHECKED	SIZE A	CAGE NO.	DWG NO.	REV
ISSUED	SCALE		SHEET	1 OF 1



REVISIONS				
ZONE	REV	DESCRIPTION	DATE	APPROVED

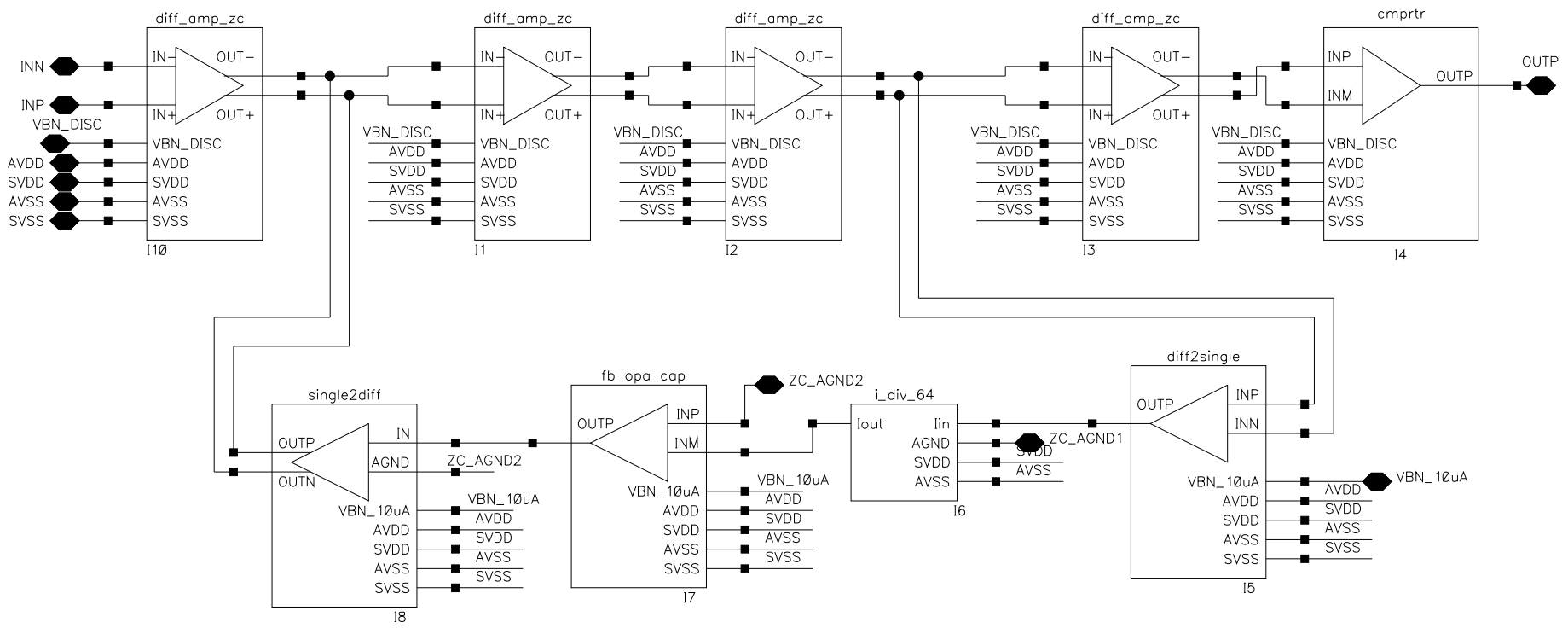


UPDATED	Oct 16 14:33:47 2002		
DRAWN			
CHECKED			
CHECKED	SIZE	CAGE NO.	DWG NO.
ISSUED	A		
	SCALE		SHEET 1 OF 1

XOR



REVISIONS				
ZONE	REV	DESCRIPTION	DATE	APPROVED



UPDATED	ZC			
Jun 22 13:45:23 2005				
DRAWN				
CHECKED				
CHECKED	SIZE A	CAGE NO.	DWG NO.	REV
ISSUED	SCALE	SHEET 1 OF 1		